

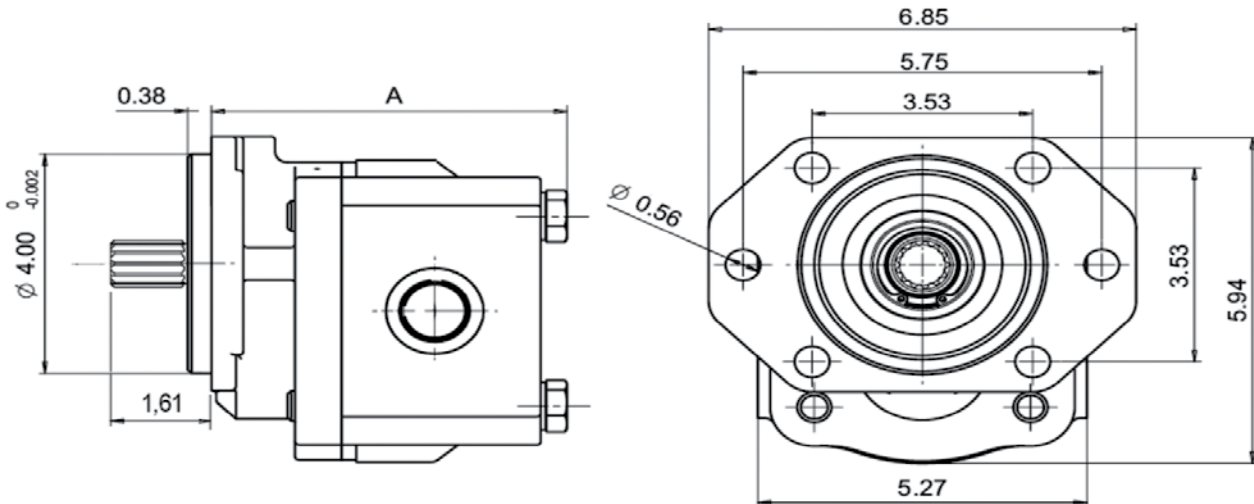
- SUPERIOR PERFORMANCE AND RELIABILITY IN HEAVY-DUTY HYDRAULIC APPLICATION
- CONSTRUCTION WITH LARGE AREA, LOW-FRICTION BUSHINGS PROVIDE STRENGTH, HIGH EFFICIENCY AND LONG LIFE IN SEVERE OPERATING ENVIRONMENT
- THE DESIGN INCLUDES AN ADVANCED THRUST PLATE AND SEAL CONFIGURATION WHICH OPTIMIZES PERFORMANCE EVEN IN HIGH TEMPERATURE AND LOW VISCOSITY CONDITIONS



PART NUMBER	DISP. CU IN/REV (CC REV)	GPM @ 1000 RPM	MAX		PORT SIZE		DIM "A"
			RPM	PSI	INLET	OUTLET	
615100002	1.43 (23)	6.1	3000	3800	SAE 16	SAE 12	5.54
615100022	1.75 (28)	7.5		4000			5.70
615100032	2.1 (34)	9.0		4000			5.88
615100012	2.46 (40)	10.6	2700	3800	SAE 20	SAE 16	6.00
615100042	2.89 (46)	12.5		4000			6.94
615100052	3.37 (55)	14.5		3800			7.18
615100062	3.92 (65)	16.9	2500	3500	SAE 20	SAE 16	7.45
615100072	4.48 (75)	19.2		3200			7.73
615100082	4.91 (80)	21.2		2900			7.96



- SHAFT 7/8-13T SPLINE
- CLOCKWISE ROTATION

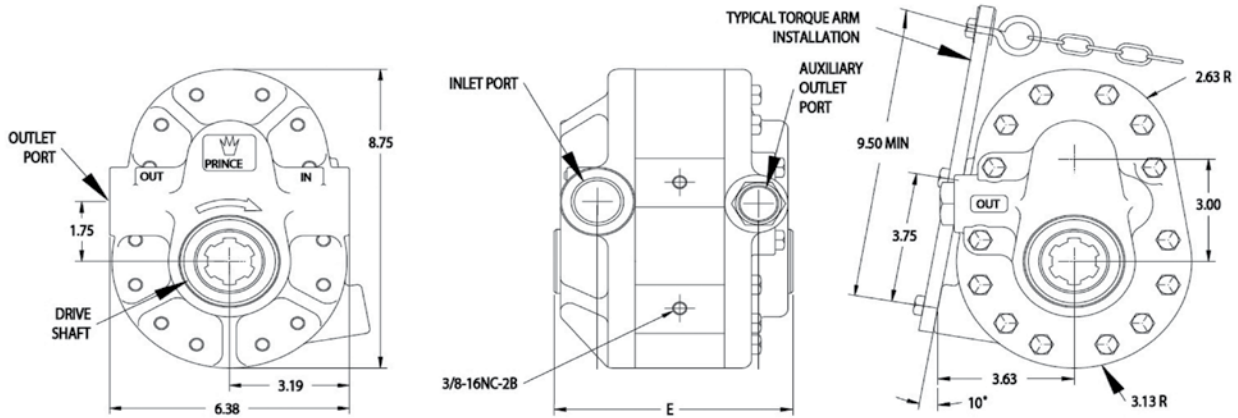


## PTO PUMPS

- SLIPS ONTO TRACTOR PTO SHAFT (NO GEARBOX REQUIRED)
- 2000 PSI MAXIMUM PRESSURE
- BARBED ADAPTOR FOR HOSE INCLUDED
- FEMALE PIPE ADAPTOR FOR 3/4 NPT INCLUDED

PART NUMBER	HP @ 2000 PSI	2000 PSI		INLET	OUTLET	SHAFT	DIM E
		RPM	GPM				
HC-PTO-1A	32	540	21	SAE 16	SAE 12	1 3/8 - 6 T	6,35"
HC-PTO-9A	27		17				5,97"
HC-PTO-2A	18		11				5,60"
HC-PTO-7A	12		7				5,23"
HC-PTO-3A	34	1000	22.5			1 3/8 - 21 T	5,60"
HC-PTO-8A	27		13.5				5,23"

Prince



## GEAR BOX / PUMP ASSEMBLY

- SLIP ONTO 540 RPM TRACTOR PTO SHAFTS
- 3000 PSI MAXIMUM PRESSURE
- ADAPT TO 1 3/8 - 6T SPLINE SHAFT
- OTHER PUMP FLOW AVAILABLE UPON REQUEST

PART NUMBER	HP @ 2000 PSI	GPM	MAX PSI	INLET	OUTLET
2.5PB-PTO-38D	25.4	19.2	2500	SAE 16	SAE 12
2.5PB-PTO-32D	21.4	16.3	3300		
2.5PB-PTO-22D	14.7	11	3600		

