

XAI SERIE

- FIXED DISPLACEMENT BENT AXIS DESIGN
- HIGH SPEED, HIGH PRESSURE
- COMPACT DESIGN
- EASY MOUNTING AND START-UP
- PUMP AUTOMATICALLY SET TO REQUIRED DIRECTION OF ROTATION
- 5800 PSI MAXIMUM PRESSURE
- XAI50 & XAI63 ALSO AVAILABLE WITH 1"-15T SHAFT

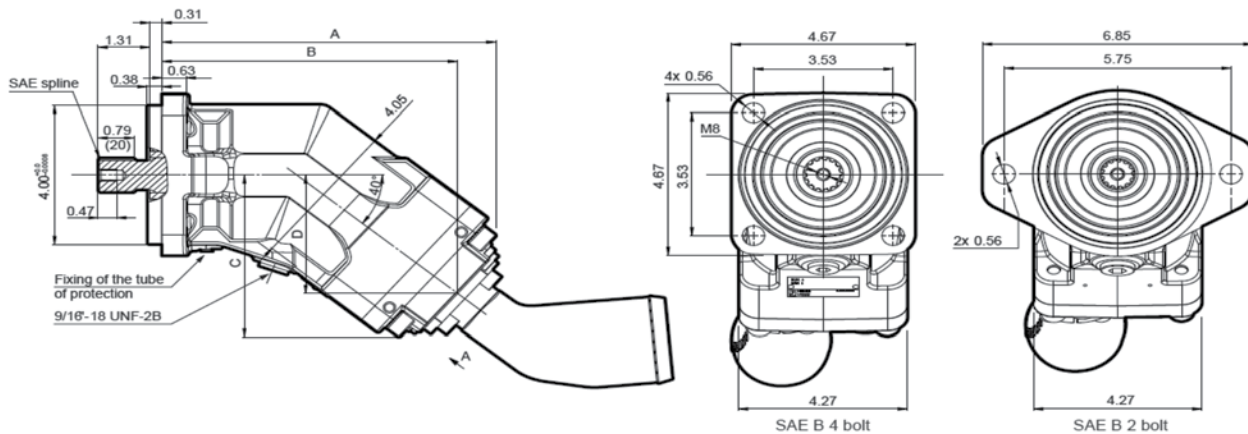


SAE B - 2 BOLT (4" PILOT)

PUMP		DISPLACEMENT Cu. In (CC)	GPM @ 1800 RPM	MAX RPM	OUTLET	SHAFT	DIM "A"	DIM "B"	DIM "C"	DIM "D"
XAI18	0524085	1,10 (18)	8.5	2900	SAE 08	7/8"-13T	7.76	6.79	4.08	2.87
XAI25	0524095	1,52 (25)	11.9	2650			8.0	7.03	4.28	3.03
XAI32	0524105	1,95 (32)	15.2	2700						
XAI41	0524115	2,50 (41)	19.5	2500	SAE 12					

SAE B - 4 BOLT (4" PILOT)

PUMP		DISPLACEMENT Cu. In (CC)	GPM @ 1800 RPM	MAX RPM	OUTLET	SHAFT	DIM "A"	DIM "B"	DIM "C"	DIM "D"
XAI18	0524080	1,10 (18)	8.5	2900	SAE 08	7/8" - 13T	7.76	6.79	4.08	2.87
XAI25	0524090	1,52 (25)	11.9	2650			8.0	7.03	4.28	3.03
XAI32	0524090	1,95 (32)	15.2	2700						
XAI41	0524110	2,50 (41)	19.5	2500	SAE 12	1" - 15T	8.45	7.48	4.65	3.4
XAI50	0524360	3,07 (50)	23.7	2500						
XAI63	0524120	3,84 (63)	29.9	2300						



TXV SERIE

LEDUC TXV pumps are intelligent pumps! With variable displacement and pressure-flow control - called Load Sensing - they automatically regulate to give just what is needed for each movement. Specifically designed for the needs of the truck hydraulic market, the TXV pumps are particularly attractive solutions for applications in loading cranes, forestry cranes, refuse vehicles, salt spreaders and snow and ice equipment, and construction equipment vehicles.

Extremely compact in size (only 125mm wide) to allow direct flange-mounting on motor PTOs or gearbox PTOs, TXV pumps are available in 7 models from 40cc to 150cc maximum displacement. Maximum service pressure is up to 440 bar depending on models



PUMP	ROTATION	DISPLACEMENT	GPM @ 1800 RPM	MAX PRESSURE	MAX RPM	
		Cu. In (CC)		PSI		
TXV 40	0512950	CW	2,44 (40)	18.9	5880	3000
	0512955	CCW				
TXV 60	0512500	CW	3,66 (60)	28.4	5880	2600
	0512505	CCW				
TXV 75	0512510	CW	4,57 (75)	35.6	5880	2000
	0512515	CCW				
TXV 92	0512520	CW	5,61 (92)	43.7	5880	1900
	0512525	CCW				
TXV120	0515700	CW	7,32 (120)	57.0	5290	2100
	0515705	CCW				
TXV 130	0515300	CW	7,93 (130)	61.8	5290	2100
	0515515	CCW				
TXV 150	0518600	CW	9,15 (150)	71.2	4550	2000
	0518605	CCW				

DIMENSIONS

TXV 40-120

INLET

G 1 1/2"

OUTLET

TXV40-92: G 3/4"

TXV120: G 1"

