

## VDP08 LOAD SENSE VALVE

- 4500 PSI MAXIMUM PRESSURE
- 34 GPM MAXIMUM FLOW ON P PORT
- 25 GPM MAXIMUM FLOW ON A/B PORTS
- FOR FIXED OR VARIABLE DISPLACEMENT PUMP
- MANY SPOOL CONTROLS AVAILABLE SUCH AS
  - Manual control
  - pneumatic or hydraulic control
  - electrical on/off or proportional

### PORTING INFORMATIONS

SAE 12 ON P PORT
SAE 10 ON A/B PORTS
SAE 16 ON T PORTS
SAE 04 ON LS PORT

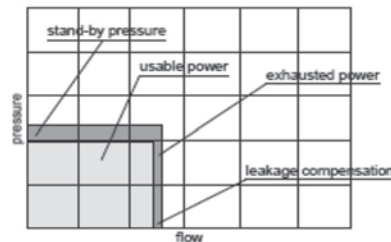
Load sensing directional control valve VDP08 offers a load-independent flow control (flow in each section depends only by the spool position and not by the load acting on any function), good metering curves and chance of energy saving. The spool acts as a variable throttling on which the pressure drop is maintained constant, so that each spool position arouses a determinate flow rate.

### Closed centre version for variable displacement pumps

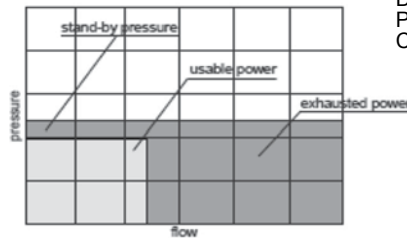
The valve, through the LS signal, sets the pump displacement on the value required by the actuator plus a little leakage compensation flow, the pump always working almost at minimum power saving possible, with clear advantages in terms of energy. When several spools are actuated, only the highest of the corresponding LS signals reaches the pump; in the remaining sections the compensators keep the pressure drop on the spool constant, maintaining the flow rate equal to that required by the actuator and independent of the pump pressure. When all the spools are in neutral position (pump stand-by), the pump is required a very little flow (leakage compensation) at the stand-by pressure (14 bar - 200 PSI).

### Open centre version for fixed displacement pumps

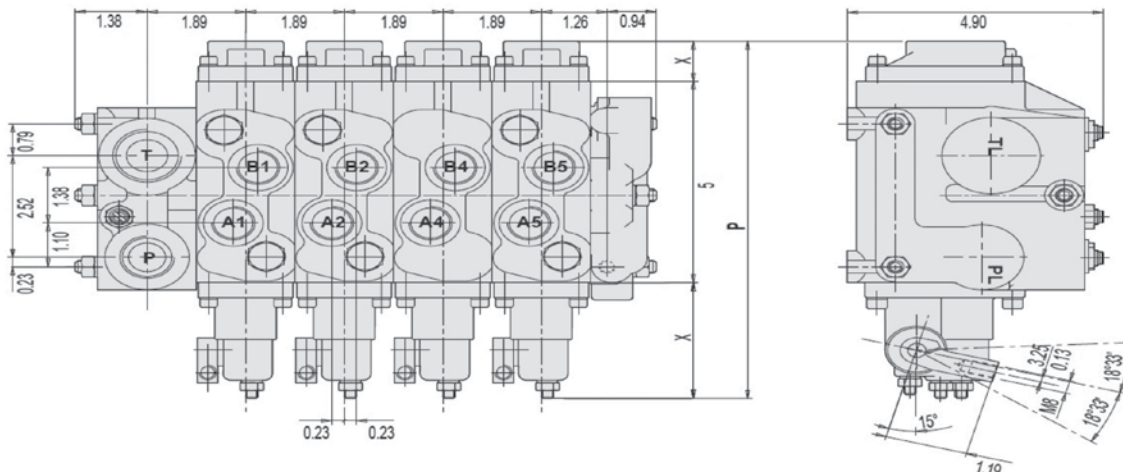
The flow regulator in the inlet module, controlled by the LS signal, drains to tank all the flow exceeding the value required by the actuators, generating in the valve the same working conditions as in case of variable displacement pump. The advantages due to flow regulation hold, whereas energy saving is strongly cut down.



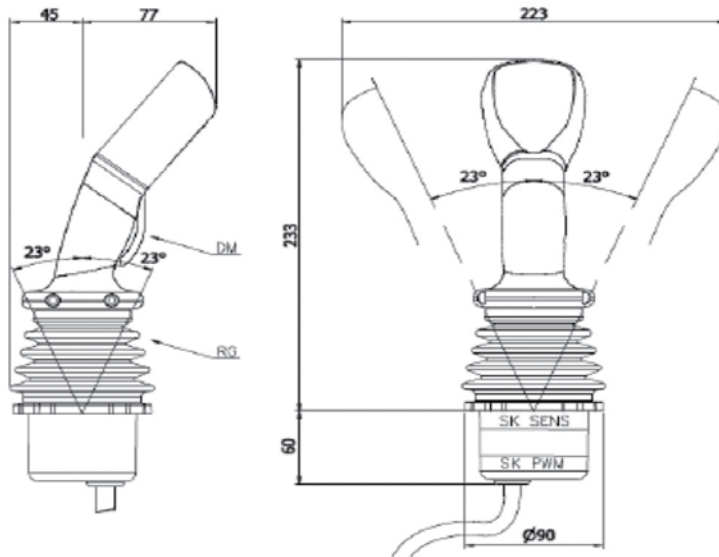
LS CIRCUIT WITH VARIABLE DISPLACEMENT PUMP (CLOSED CENTRE)



LS CIRCUIT WITH FIXED DISPLACEMENT PUMP (OPEN CENTRE)



- PLUG & PLAY SYSTEM
- FULLY PROGRAMMABLE JOYSTICK USING SOFTWARE AND CABLE
- ★ STANDARD JOYSTICK ALLOW YOU TO OPERATE 2 MECHANICAL SECTIONS
- ★ MANY MODEL OF JOYSTICKS AVAILABLE



**ELECTRIC SPECIFICATIONS**

SUPPLY VOLTAGE: 8-32 VDC

CURRENT CONSUMPTION @ REST: 250 MA

SENSOR HALL EFFECT CONTACTLESS TECHNOLOGY

PWM OUTPUT: 2X DUAL PROPORTIONAL SOLENOID VALVES

CURRENT OUTPUT RANGE (PWM) FROM 100 TO 1600 MA

DITHER FREQUENCY: FROM 60 TO 250 HZ (100 HZ FACTORY PRESET)