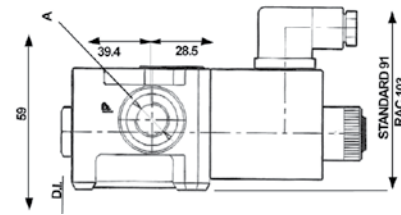


MODEL VS 85 - VS 95 3 WAYS / 2 POSITIONS					
MODEL	MAX GPM	MAX PSI	PORT	CIRCUIT	PART NUMBER
VS 85-A-12VDC	16	3625	SAE 8		L705C113A10B010
VS 85-A-24VDC					L705C113A10C010
VS 85-D-12VDC					L705C113D10B010
VS 85-D-24VDC					L705C113D10C010
VS 95-A-12VDC	37		SAE 12		L706E143A10B010
VS 95-A-24VDC					L706E143A10C010
VS 95-D-12VDC					L706E143D10B010
VS 95-D-24VDC					L706E143D10C010

Other circuits available on request



VS 85



VS 95



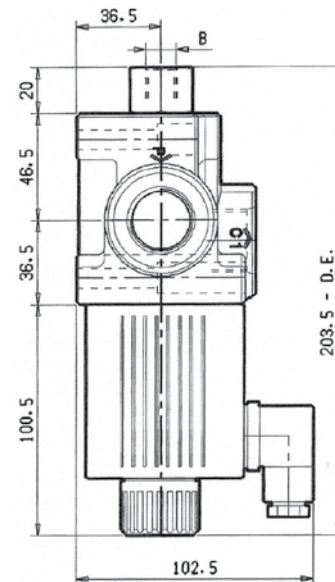
ACCESSORIES

COILS			
MODEL	VOLTAGE	PART NUMBER	
VS 85	12 VDC	271-0520	
VS 85	24 VDC	271-0521	
VS 95	12 VDC	281-0617	
VS 95	24 VDC	281-0618	

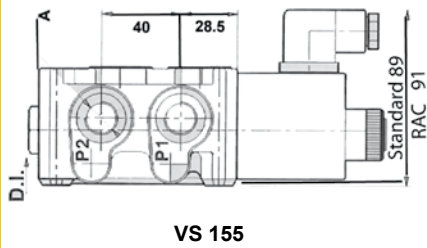
110 volt available from stock

DIN CONNECTORS	
PART NUMBER	DESCRIPTION
29-001	STANDARD
29-004	LED 12V
29-005	LED 24V

Other connectors available



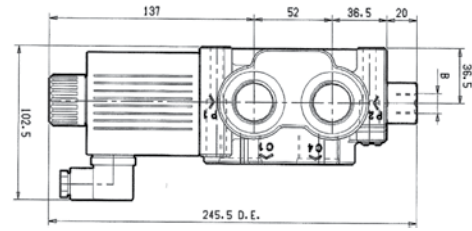
VS 95



VS 155



VS 315



MODEL VS 155 - VS 315 - 6 WAYS / 2 POSITIONS

PART NUMBER	MAX GPM	MAX PSI	PORT	CIRCUIT	PART NUMBER
VS-155-12VDC	16	3625	SAE 8		L721C116A10B010
VS-155-24VDC					L721C116A10C010
VS-315-12VDC	37		SAE 12		L753E146A10B010
VS-315-24VDC					L753E146A10C010

Other circuits available on request

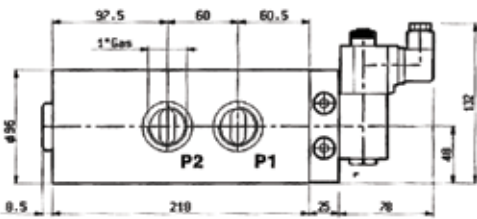
ACCESSORIES

COILS		
MODEL	VOLTAGE	PART NUMBER
VS 155	12 VDC	271-0520
VS 155	24 VDC	271-0521
VS 315	12 VDC	281-0617
VS 315	24 VDC	281-0618

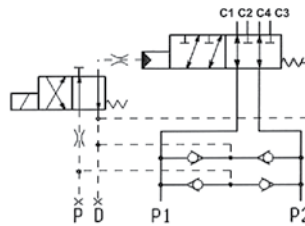
DIN CONNECTORS	
PART NUMBER	DIN CONNECTORS
29-001	STANDARD
29-004	LED 12V
29-005	LED 24V

Other connectors available

110 volt available from stock



VS 400



CIRCUIT



MODEL VS 400 - 6 WAYS / POSITIONS
INTERNAL PILOT INTERNAL DRAIN

MODEL	MAX GPM	MAX PRESSURE (PSI)	PORT	CIRCUIT	PART NUMBER
VS-400-12VDC	50	3625	1" BSP		L7556106B10B010
VS-400-24VDC					L7556106B10C010

ACCESSORIES

ADAPTOR	
DESCRIPTION	PART NUMBER
Adaptor male 1" BSP SAE 16	9002-16-16

COILS		
MODEL	VOLTAGE	PART NUMBER
VS 400	12 VDC	271-0510
VS 400	24 VDC	271-0511

110 volt available from stock

DIN CONNECTORS	
PART NUMBER	DESCRIPTION
29-001	STANDARD
29-004	LED 12V
29-005	LED 24V

Other connectors available

PILOT VALVE	
PART NUMBER	
L5010Y301000000	

Without coil