

IN-LINE FLOW CONTROL VALVES

- CARBON STEEL BODY
- DESIGNED TO PROVIDE PRECISION FLOW CONTROL & SHUT OFF IN ONE FLOW DIRECTION & PROVIDE FREE FLOW IN THE OPPOSITE DIRECTION
- COLOR BANDS ALLOW FAST RETURN TO A PREVIOUS SETTING
- SET SCREW LOCKS VALVE TO ANY SETTING
- OPERATING TEMP RANGE -20°F THROUGH 210°F

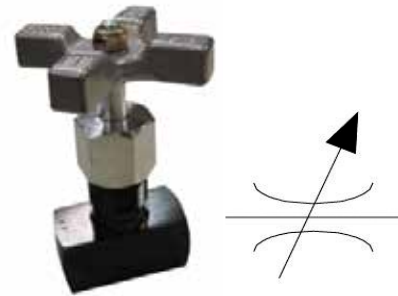
PART NUMBER	PORT SIZE	MAX PSI	MAX GPM
WFC-400	1/4 NPT	5000	5
WFC-600	3/8 NPT	5000	8
WFC-800	1/2 NPT	5000	15
WFC-1200	3/4 NPT	3000	25
WFC-1600	1 NPT	3000	40



IN-LINE NEEDLE VALVES

- CARBON STEEL BODY
- DESIGNED TO PROVIDE PRECISION FLOW CONTROL
- OPERATING TEMP RANGE -20°F THROUGH 210°F

PART NUMBER	PORT SIZE	MAX PSI	MAX GPM
WNV-400	1/4 NPT	5000	5
WNV-600	3/8 NPT	5000	8
WNV-800	1/2 NPT	5000	15
WNV-1200	3/4 NPT	3000	25
WNV-1600	1 NPT	3000	40



3 WAY FLOW CONTROL VALVES

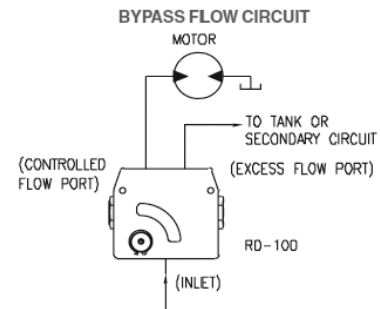
- 30 GPM MAXIMUM FLOW
- 3000 PSI MAXIMUM PRESSURE
- 180°F MAX TEMP
- FILTRATION 17/14/19
- FOR USE WITH MINERAL BASED HYDRAULIC FLUID
- SIDE PORT CONFIGURATION
- 100% TESTED
- EXTERNAL SEALS ON ROTARY SPOOL PREVENT CONTAMINATION FROM LOCKING UP SPOOL

PART NUMBER	PORT SIZE	CONTROL FLOW	DESCRIPTION
W1950-16	1/2 NPT	0-16 GPM	-
WR-1950-16	1/2 NPT	0-16 GPM	WITH RELIEF
W1975-30	3/4 NPT	0-30 GPM	-
WR-1975-30	3/4 NPT	0-30 GPM	WITH RELIEF

SIDE PORTED	TOP PORTED	PORT SIZE	CONTROL FLOW
RD-1937-8	RD-137-8	3/8 NPT	0-8 GPM
RD-1950-8	RD-150-8	1/2 NPT	0-8 GPM
RD-1950-16	RD-150-16	1/2 NPT	0-16 GPM
RD-1975-16	RD-175-16	3/4 NPT	0-16 GPM
RD-1975-30	RD-175-30	3/4 NPT	0-30 GPM
RD-1908-8	RD-108-8	SAE 08	0-8 GPM
RD-1912-30	RD-112-30	SAE 12	0-30 GPM

FOLLOWING MODELS WITH BUILT IN RELIEF

RDRS-1950-16	RDRS-150-16	1/2 NPT	0-16 GPM
RDRS-1975-30	RDRS-175-30	3/4 NPT	0-30 GPM

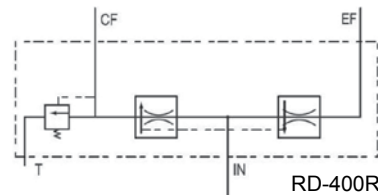
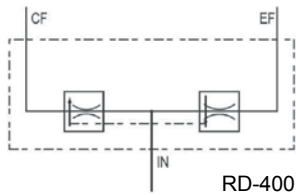


FIXED FLOW PRIORITY DIVIDERS

- 3000 PSI MAXIMUM PRESSURE
- 30 GPM MAXIMUM FLOW
- OTHER FIXED FLOW AVAILABLE: 1,5 TO 14 GPM

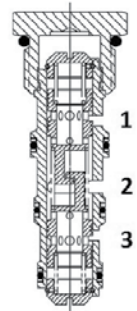
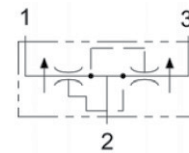


MODEL	FIXED FLOW	RELIEF	INLET & EXCESS PORT	CONTROL FLOW PORT
RD-405-3	3 GPM	NO	3/4 NPT	1/2 NPT
RD-405-6	6 GPM			
RD-405-R3	3 GPM	YES	SAE 12	SAE 08
RD-405-R6	6 GPM			
RD-412-1,5	1,5 GPM	YES	SAE 12	SAE 08



PRESSURE COMPENSATED FLOW DIVIDERS

- DIVIDER / COMBINER
- PRESSURE COMPENSATED
- 3000 PSI MAXIMUM PRESSURE
- PRECISE AT +/- 10% ACCURACY
- LOW COST
- COMMON CAVITIES



PART NUMBER	INLET FLOW	PORT SIZE
DG-FDA-00-50-03	2-3 GPM	SAE 08 (USE BODY 30102362)
DG-FDA-00-50-06	3-6 GPM	
DG-FDA-00-50-09	6-9 GPM	
DG-FDA-00-50-12	9-12 GPM	SAE 12 (USE BODY 30102577)
SN-FDA-00-50-15	8-15 GPM	
SN-FDA-00-50-25	15-25 GPM	
SN-FDA-00-50-40	20-40 GPM	

