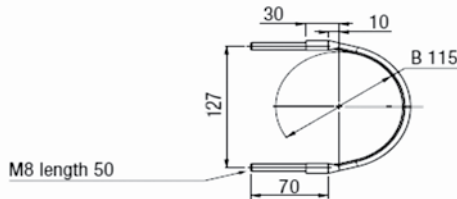
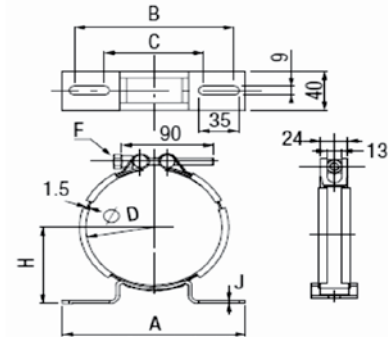


FIXATION CLAMPS

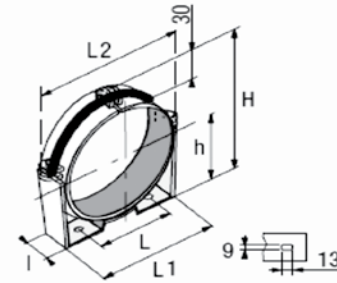
PART NUMBER	USE WITH MODELS
065958	ACS MODELS



PART NUMBER	USE WITH MODELS	DIMENSIONS (MM)					
		A	B	C	D	H	J
254021	ACS MODELS & ASA 0,5 L/0,7 L	163	144	90	118.5	78	3
254022	ASA 1L & ABVE 4 L	210	200	130	168	92	4

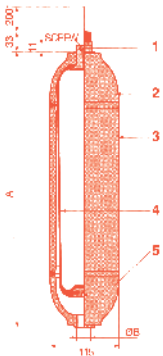
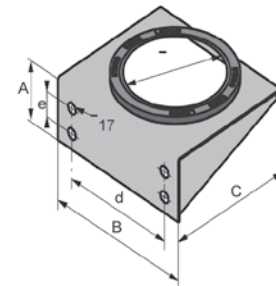


PART NUMBER	USE WITH MODELS	DIMENSIONS (MM)				
		h	L	L1	L2	I
254007	ABVE 10 L TO 50 L	119	216	254	297	30



FIXATION SEAT

PART NUMBER	USE WITH MODELS	DIMENSIONS (MM)					
		DIAM.	A	B	C	d	e
254012	ABVE 4 L	108	80	210	175	150	40
254008	ABVE 10 L TO 50 L	152	100	260	225	200	



CHARGING KIT



066650
COMPLETE KIT INCLUDING HOSE FITS MOST OF VALVES



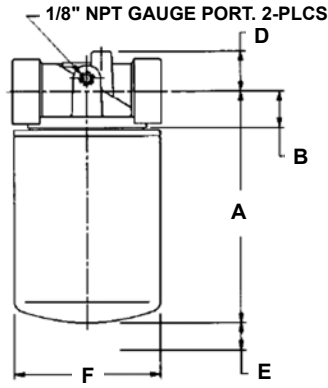
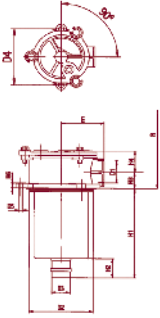
066660
FITS MOST OF EUROPEAN VALVES



704230 (NO GAUGE)
FITS ON SCHRADER VALVES ONLY



701630
HOSE ASSEMBLY FOR 704230



CP-1500 SERIES



CP-1520 SERIES

PART NUMBER	PORT	POST THREAD	MAX RETURN GPM	MAX PSI	A	B	C	F
CP380	3/8 NPT	3/4" - 16 UNF	7	200	3.9	0.6	0.4	3.1
CP750	3/4 NPT	1" - 12 UNF	25	200	6.2	1.1	0.8	3.7
CP1000	1" NPT	1" - 12 UNF	25	200	6.2	1.1	0.8	3.7
CP1280	1 1/4 NPT	1 1/2 - 16 UNF	60	150	8.1	1.2	1.2	5
CPL1280					12.2	1.2		
CP1500	1 1/2 NPT	1 1/2 - 16 UNF	120	150	SEE PICTURE			
CP1520								

PORT	MICRONS	ASSEMBLY	HEAD	ELEMENT
3/8 NPT	10	CP380-1018	CP-380	CP-1018
	40	CP380-4018	-	CP-4018
3/4 NPT	10	CP750-10P	CP751-25	CP752-10
	25	CP750-30P	-	CP752-30
	140	-	-	CP752-100M
1" NPT	10	CP1010-10P	CP1011-R	CP752-10
	25	-	-	CP750-30
	140	-	-	CP752-100M
1 1/4 NPT	10	CP1280-10P	CP1281-25	CP1282-10
	25	CP1280-30P	-	CP1282-30
	140	-	-	CP1282-100M
	10	-	-	CPL1282-10
1 1/2 NPT	10	-	CP1501-25	CP1282-10 (2X)
	25			CP1282-30 (2X)
	10	CP1521-25	CP1282-10 (2X)	
	25		CP1282-30 (2X)	



MC-12
Return Line Indicating Gauge
for PSI Filter Applications 2"
Multicolor

0-12 PSI Green
12-15 PSI Yellow
15-60 PSI Red (Service Filter)

**PLEASE ADD "1&3"
AFTER MODEL CODE TO
INSTALL A GAUGE**