

TANK TOP RETURN FILTER

■ 100 PSI MAXIMUM WORKING PRESSURE

PART NUMBER	MAX FLOW	THREAD	MEDIA
LIT-750-10P	25 GPM	3/4 NPT	10 MICRONS PAPER
LIT-1250-10P	80 GPM	1 1/4 NPT	
LITA-1250-10P	80 GPM	SAE 20	

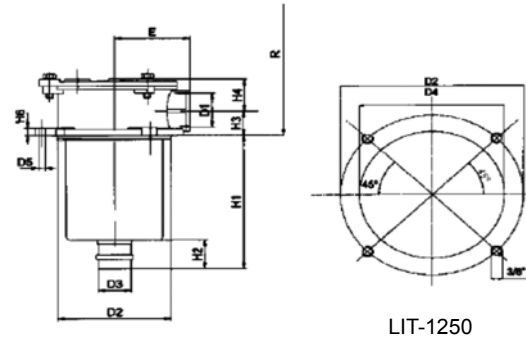
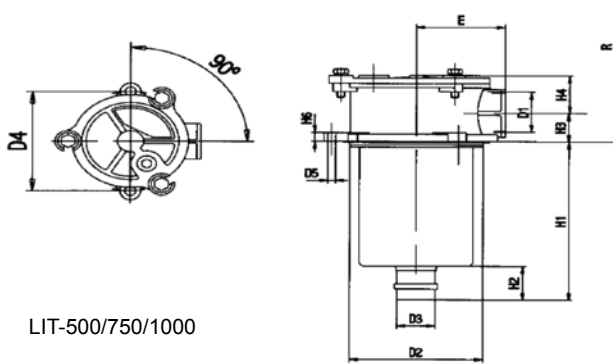


SPARE ELEMENTS FOR LIT-750

PART NUMBER	MEDIA
LIT-752-10P	10 MICRONS PAPER
LIT-752-25P	25 MICRONS PAPER
LIT-752-10SYN	10 MICRONS SYNTHETIC

SPARE ELEMENTS FOR LIT-1250

PART NUMBER	MEDIA
LIT-1252-10P	10 MICRONS PAPER
LIT-1252-25P	25 MICRONS PAPER
LIT-1252-10SYN	10 MICRONS SYNTHETIC



MEDIUM PRESSURE FILTER

■ 350 PSI MAXIMUM WORKING PRESSURE

PART NUMBER	MAX FLOW	THREAD	MEDIA
DH-750-800-RR	18 GPM	3/4 NPT	10 MICRONS PAPER
DH-1250-800-RR	45 GPM	1 1/4 NPT	
DH1500-800-RR	55 GPM	1 1/2 NPT	25 MICRONS PAPER
DH1500-400-RR		1 1/2 NPT	



SPARE ELEMENTS FOR DH-750 & DH-1000

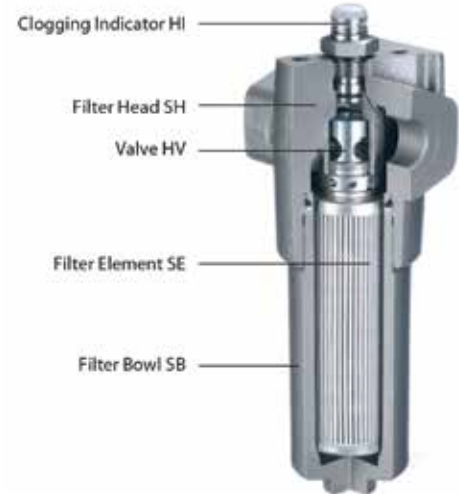
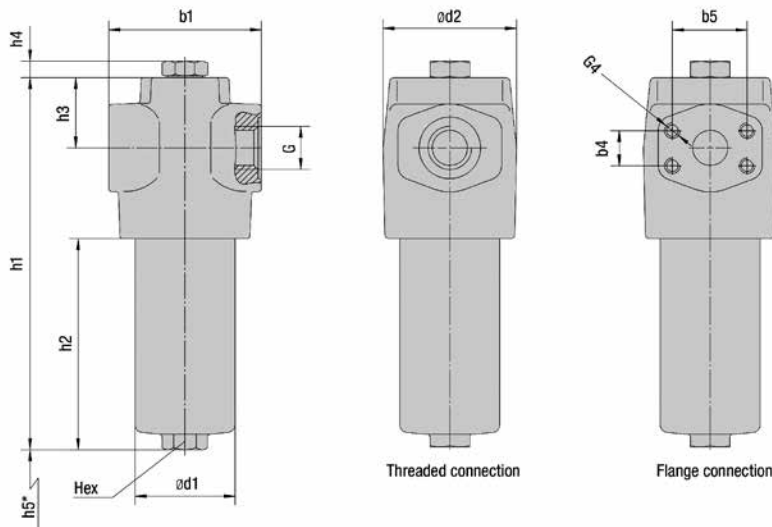
PART NUMBER	MEDIA
8-03	10 MICRONS PAPER
4-03	30 MICRONS PAPER
5062-100	100 WIRE MESH

SPARE ELEMENTS FOR DH-1250 & DH-1500

PART NUMBER	MEDIA
8-15	10 MICRONS PAPER
4-15	30 MICRONS PAPER
5064-100	100 WIRE MESH

HIGH PRESSURE FILTER • TYPE SF

■ 6000 PSI MAXIMUM WORKING PRESSURE



DIMENSIONS	FILTER SIZE SF			
	014	030	045	070
b1	4.10"	4.10"	5.04"	5.04"
d2	3.58"	3.58"	4.57"	4.57"
h3	1.89"	1.89"	1.95"	1.95"
h4	0.49"	0.49"	0.49"	0.49"
d1	2.68"	2.68"	3.74"	3.74"
h1	7.40"	10.00"	9.41"	11.73"
h2	3.07"	5.67"	4.06"	6.34"
h5	Rec.	3.94"	6.69"	5.51"
	Min.	3.35"	3.35"	4.72"
Hex	1.06"	1.06"	1.26"	1.26"

1 - TYPE

HIGH PRESSURE FILTER SF

2 - GROUP

FLOW	SIZE
60 L/MIN / 14 US GPM	014
110 L/MIN / 30 US GPM	030
160 L/MIN / 45 US GPM	045
240 L/MIN / 70 US GPM	070

HIGH PRESSURE FILTER • ORDER CODE

HIGH PRESSURE FILTER HOUSINGS / COMPLETE FILTERS • TYPE SF

SF 014 G 10 B / T U / B / A

SF 030 G 10 B / T U / B / A

SF 045 G 10 B / T U / B / A

SF 070 G 10 B / T U / B / A

FILTER ELEMENTS • TYPE SE

SE 014 G 10 B / X

SE 030 G 10 B / X

SE 045 G 10 B / X

SE 070 G 10 B / X

CLOGGING INDICATORS

HI-V
VISUAL

ELECTRIC
HI-E

