

PUSH ON BREATHERS

- 40 MICRONS
- CLIPS ON A 1.5" TUBE

PART NUMBER: NYPO-24



WELD-ON FILLER-BREATHERS

- 40 MICRONS
- 2.38" TUBE TO WELD ON TANK

PART NUMBER: FB-18



SPIN-ON BREATHERS

- 10 MICRONS PAPER (MANY OPTIONS AVAILABLE)

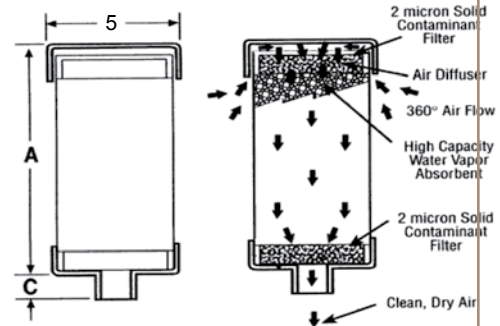
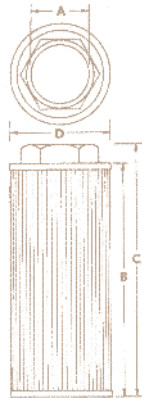
PART NUMBER	NPT THREAD	CFM	SPARE ELEMENT	ADAPTOR ONLY
LGB-8-10	1/2"	100	CP-752-10	LABA-8
LGB-12-16	1"	40	CPAB310	LABA-12-16
LGB-12-10	3/4"	150	CP-752-10	LABA-12
LGB-16-10	1"	200		LABA-16
LGB-20-10	1 1/4"	250	CP-1282-10	LABA-20
LGB B310	BAYONET	40	CPAB310	B12



DESICCANT BREATHERS

- 2 MICRONS RATING
- ABSORB WATER VAPOR
- SILICA GEL TURNS FROM GOLD TO GREEN WHEN MAXIMUM ABSORPTION IS REACHED

PART NUMBER	GPM	MAX H2O CAPACITY	DIM "A"
DB-03	262	100 ML	3.5"
DB-05		200 ML	5"
DB-08		425 ML	8"
DB-10	750	575 ML	10"

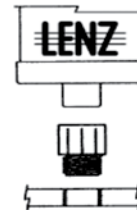


DESICCANT BREATHER ADAPTORS

- ADAPT DESICCANT BREATHER TO TANK

PART NUMBER	DESCRIPTION
DB-BA	BAYONET ADAPTER
DB-R1	1" NPT ADAPTER
DB-R2	3/4" NPT ADAPTER
DB-R3	1/2" NPT ADAPTER

Threaded Adapter



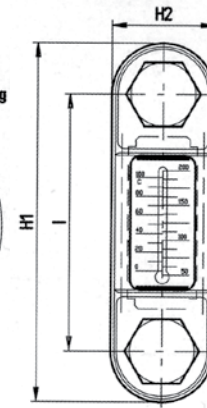
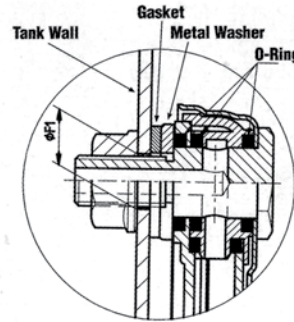
Bayonet Adapter



LEVEL GAUGES

- OIL INDICATOR WITH THERMOMETER
- AVAILABLE WITH METRIC BOLT THREAD

PART NUMBER	DIMENSIONS			THREAD
	I	H1	H2	
T-LLG-3	3.0"	4.2"	1.2"	1/2-13 UNC
T-LLG-5	5.0"	6.1"		
T-LLG-10	10.0"	11.1"	1.3"	

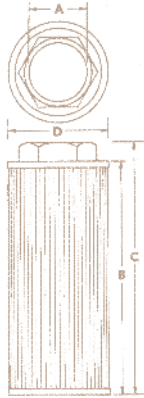


T-LLG-5

SIGHT GLASS

- INDICATE LIQUID LEVEL IN RESERVOIR
- SAE-THREAD AND REFLECTOR BALL IN OPTION

PART NUMBER	THREAD
LSW-6	3/8 NPT
LSW-8	1/2 NPT
LSW-12	3/4 NPT
LSW-16	1 NPT
LSW-20	1 1/4 NPT
LSW-24	1 1/2 NPT
LSW-32	2 NPT

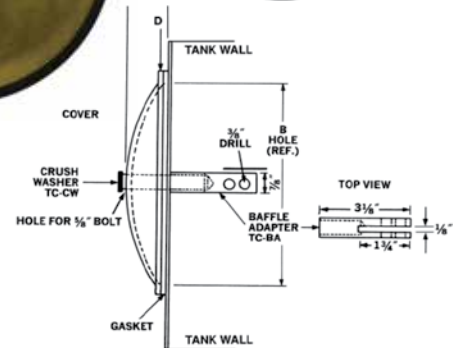
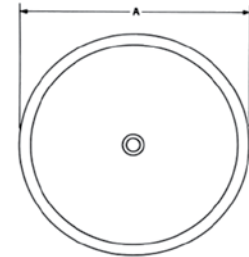


TANK COVERS

- GIVES ACCESS TO INSIDE OF RESERVOIR
- MADE IN STEEL ZINC PLATED
- NO-LEAK GASKET
- DRAIN IN OPTION

PART NUMBER	DIM "A"
TC-6	6"
TC-12	12"
TC-14	14"
TC-18	18"

BAFFLE ADAPTOR (TC-BA) MUST BE ORDERED SEPARATELY



MAGNETIC DRAIN PLUGS

- ATTRACTS FERROUS PARTICLES

PART NUMBER	THREAD
MDP-6	3/8 NPT
MDP-8	1/2 NPT
MDP-12	3/4 NPT
MDP-16	1 NPT



Also Available

