



ELECTRIC MOTORS

MOTOR FRAME	PUMP FLANGE	FACE TO FACE	PART NO
56-145TC	4F17 1.781" - 4 BOLT	4.25"	B564F42
	SAE AA 2" - 2 BOLT	3.50"	B56AA35
		4.25"	B56AA42
	SAE A 3 1/4" - 2 BOLT	3.50"	B56A35
		4.25"	B56A42
	182-256TC	SAE A 3 1/4" - 2 BOLT	5.00"
5.81"			B182A58
6.81"			B182A68
SAE B 4" - 2 BOLT		5.81"	B182B58
		6.81"	B182B68
		SAE B 4" - 2/4 BOLT	6.87"
7.87"	B284B78		

TECHNICAL INFORMATION ON ELECTRICAL MOTORS

HP	FRAME	SHAFT DIMENSIONS			TORQUE (IN-LBS)
		DIAMETER	KEY	LENGTH	
1	143TC	7/8	3/16	2.25"	35
1.5	145TC				52
2					70
3	182TC	1 1/8	1/4	2.75"	105
5	184TC				175
7.5	213TC	1 3/8	5/16	3.38"	262
10	215TC				350
15	254TC				525
20	256TC	1 5/8	3/8	4.00"	700
25	284TC				875
30	286TC	1 7/8	1/2	4.63"	

BASED ON TEFC MOTORS @ 1800 RPM

GAS ENGINE

HP	PUMP FLANGE	FACE TO FACE	PART NUMBER
5.5 & 6.5	4F17 1.781" - 4 BOLT	4.63"	ADAP55-175
	SAE AA 2" - 2 BOLT	4.63"	ADAP55-200
8 TO 20	4F17 1.781" - 4 BOLT	5.50"	ADAP90200-175B
		6.0"	ADAP90200-L-175
	SAE AA 2" - 2 BOLT	5.50"	ADAP90200-200
		5.50"	ADAP90200-C-325
	SAE A 3 1/4" - 2 BOLT	5.50"	ADAP90200-L-325
		6.00"	

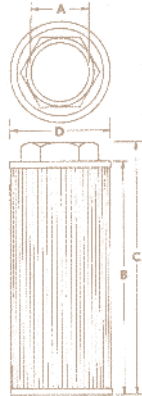
TECHNICAL INFORMATION ON GAS ENGINE MOTORS

HP	SHAFT DIMENSIONS			TORQUE (IN-LBS)
	DIAMETER	KEY	LENGTH	
5.5	3/4	3/16	2.42"	100
6.5				118
8				146
9	1	1/4	3.48"	164
11				200
13				

BASED ON STD GAS ENGINE @ 3540 RPM

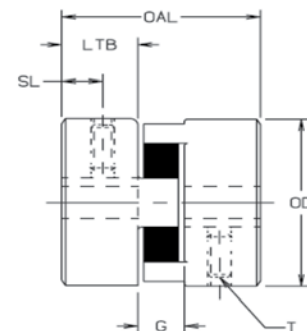
TECHNICAL INFORMATION ON PUMP SHAFTS

SHAFT TYPE	DIAMETER	LENGTH
4F17	1/2	1.50"
SAE-AA	1/2	0.75"
SAE-A	5/8	1.25"
SAE-A	3/4	1.61"
SAE-B	7/8	1.61"
SAE-BB	1	1.81"



COUPLINGS

COUPLING SIZE	MAXIMUM BORE	RATED TORQUE (IN-LBS)			DIMENSIONS (INCHES)			
		SPIDER MATERIAL			OD	OAL	G	LTB
		NITRILE	URETHANE	HYTREL				
L075	7/8	90	135	227	1.75	2.13	0.50	0.82
L095	1 1/8	194	291	561	2.11	2.51	0.52	1.00
L100	1 3/8	417	626	1137	2.54	3.48	0.71	1.38
L110	1 5/8	792	1188	2268	3.32	4.22	0.88	1.68
L150	1 7/8	1240	1660	3708	3.75	4.50	1.00	1.75



COUPLING PART NUMBERS

L075-1/2	L095-1/2	L100-1/2		
L075-5/8	L095-5/8	L100-5/8	L110-5/8	L150-5/8
L075-3/4	L095-3/4	L100-3/4	L110-3/4	L150-3/4
L075-7/8	L095-7/8	L100-7/8	L110-7/8	L150-7/8
	L095-1	L100-1	L110-1	L150-1
	L095-1 1/8	L100-1 1/8	L110-1 1/8	L150-1 1/8
		L100 1 3/8	L110-1 3/8	L150-1 3/8
			L110-1 5/8	L150-1 5/8
				L150-1 7/8

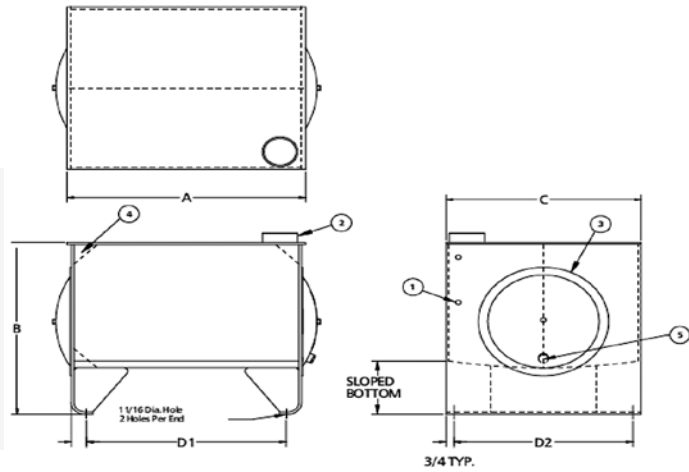
INSERT PART NUMBERS

SPIDER MATERIAL		
NITRILE	URETHANE	HYTREL
L075N	L075U	L075H
L095N	L095U	L095H
L100N	L100U	L100H
L110N	L110U	L110H
L150N	L150U	L150H

J.I.C. RESERVOIRS

EACH STYLE T1 RESERVOIR INCLUDES:

- (1) OIL LEVEL & TEMP. GAUGE HOLES
- (1) FILLER BREATHER RISER
- (2) STEEL END-COVERS WITH GASKETS
- BAFFLE WITH CUTOUTS FOR CIRCULATION
- (1) 3/4" SAE DRAIN IN END COVER
- EXTERIOR OF RESERVOIR PRIME PAINTED
- INTERIOR OF RESERVOIR COATED WITH RUST PREVENTIVE OIL

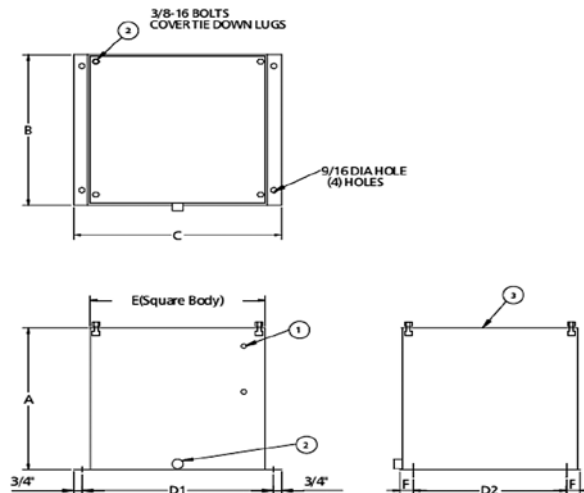


CAPACITY GALLONS	PART NUMBER	TANK DIMENSIONS (INCHES)						MATERIAL THICKNESS		SHIPPING WEIGHT LBS
		A LENGTH	B HEIGHT	C WIDTH	MOUNTING CENTERS		END COVER	END	TOP	
					D1±1/8	D2±1/8				
10	T1.10	22"	19 3/8"	18"	18 1/4"	16 1/2"	12"	7 GA	7 GA	105
15	T1.15	26"	19 3/8"	18"	22 1/4"	16 1/2"	12"	7 GA	7 GA	105
*20	T1.20	30"	19 3/8"	18"	26 1/4"	16 1/2"	12"	7 GA	7 GA	125
*30	T1.30	36"	19 3/8"	24"	32 1/4"	22 1/2"	12"	7 GA	7 GA	178
*40	T1.40	36"	21"	24"	32 1/4"	22 1/2"	12"	7 GA	7 GA	190
50	T1.50	36"	23"	24"	32 1/4"	22 1/2"	16"	7 GA	7 GA	200
*60	T1.60	48"	20 11/16"	27"	44 1/4"	25 1/2"	16"	7 GA	3/8"	314
*80	T1.80	60"	21 1/2"	27"	56 1/4"	25 1/2"	16"	7 GA	3/8"	398
*100	T1.100	60"	23 1/2"	27"	56 1/4"	25 1/2"	16"	7 GA	3/8"	418

VERTICAL NON-J.I.C. RESERVOIRS

EACH STYLE TV RESERVOIR INCLUDES:

- OIL LEVEL & TEMP. GAUGE MOUNTING HOLES
- (4) COVER MOUNTING BOLTS
- CHANNEL GASKET FOR COVER PLATE SEAL
- 3/4" SAE DRAIN
- CUSTOMER CHOICE OF COVER PLATE
- OUTSIDE OF RESERVOIR PRIME PAINTED
- INTERIOR OF RESERVOIR COATED WITH RUST PREVENTIVE OIL



CAPACITY GALLONS	PART NUMBER	TANK DIMENSIONS (INCHES)							SHIPPING WEIGHT LBS
		A	B	C	MOUNTING CENTERS		E	F	
					D1±1/8	D2±1/8			
5	TV-172	10"	12 1/2"	14 1/2"	13 1/2"	10"	12"	1/2"	55
*10	TV-173	15 1/2"	17 1/2"	20"	18 3/4"	15"	17"	1 1/4"	65
*20	TV-174	18 1/2"	18"	20 1/2"	19 1/4"	15"	17 1/2"	1 1/2"	80
30	TV-175	26 1/2"	18"	20 1/2"	19 1/4"	15"	17 1/2"	1 1/2"	100