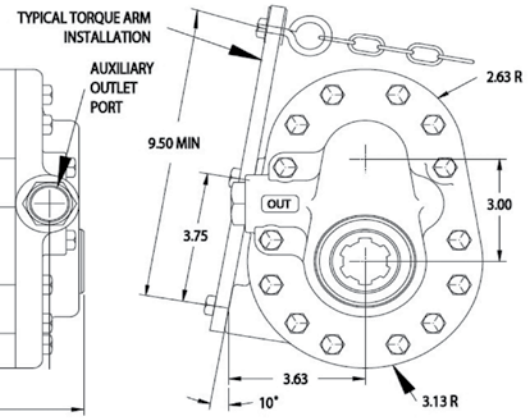
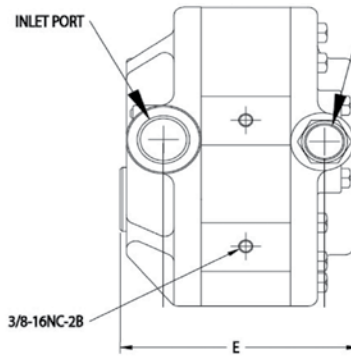
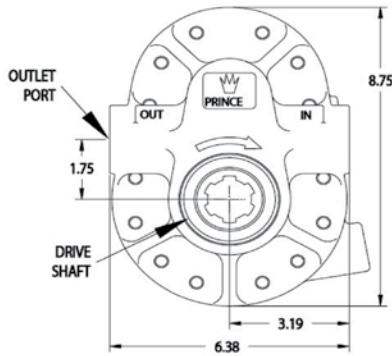


PTO PUMPS

- SLIPS ONTO TRACTOR PTO SHAFT (NO GEARBOX REQUIRED)
- 2000 PSI MAXIMUM PRESSURE
- BARBED ADAPTOR FOR HOSE INCLUDED
- FEMALE PIPE ADAPTOR FOR 3/4 NPT INCLUDED

| PART NUMBER | HP @ 2000 PSI | 2000 PSI | | INLET | OUTLET | SHAFT | DIM E |
|-------------|---------------|----------|------|--------|--------|--------------|-------|
| | | RPM | GPM | | | | |
| HC-PTO-1A | 32 | 540 | 21 | SAE 16 | SAE 12 | 1 3/8 - 6 T | 6,35" |
| HC-PTO-9A | 27 | | 17 | | | | 5,97" |
| HC-PTO-2A | 18 | | 11 | | | | 5,60" |
| HC-PTO-7A | 12 | | 7 | | | | 5,23" |
| HC-PTO-3A | 34 | 1000 | 22.5 | | | 1 3/8 - 21 T | 5,60" |
| HC-PTO-8A | 27 | | 13.5 | | | | 5,23" |

Prince



GEAR BOX / PUMP ASSEMBLY

- SLIP ONTO 540 RPM TRACTOR PTO SHAFTS
- 3000 PSI MAXIMUM PRESSURE
- ADAPT TO 1 3/8 - 6T SPLINE SHAFT
- OTHER PUMP FLOW AVAILABLE UPON REQUEST

| PART NUMBER | HP @ 2000 PSI | GPM | MAX PSI | INLET | OUTLET |
|---------------|---------------|------|---------|--------|--------|
| 2.5PB-PTO-38D | 25.4 | 19.2 | 2500 | SAE 16 | SAE 12 |
| 2.5PB-PTO-32D | 21.4 | 16.3 | 3300 | | |
| 2.5PB-PTO-22D | 14.7 | 11 | 3600 | | |

