

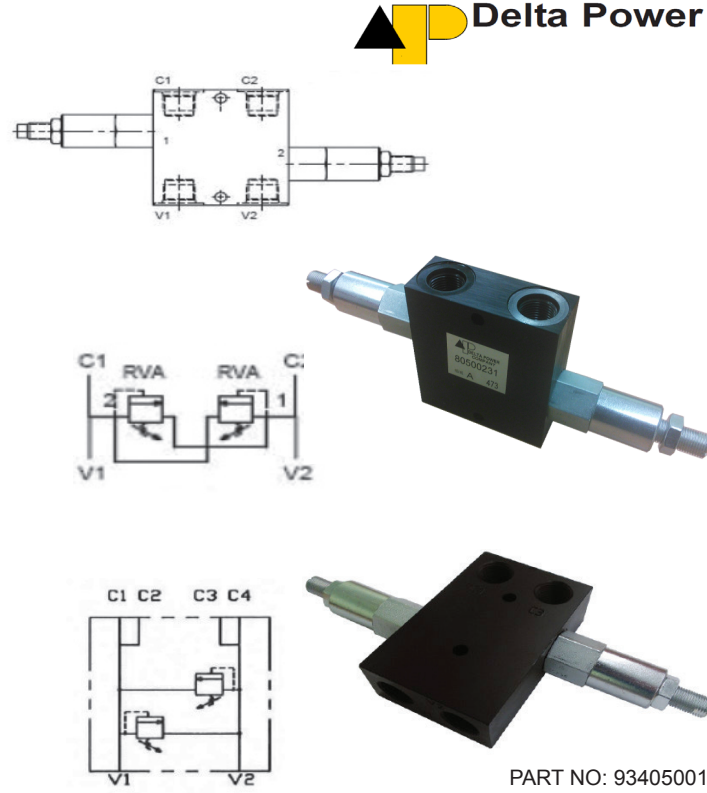
DIRECT ACTING

- 10 GPM MAXIMUM FLOW
- 3000 PSI MAXIMUM PRESSURE
- SAE 08 PORTS
- MADE IN ALUMINUM

PART NUMBER	PSI RANGE
SA-00-15-15	150-1500
SA-00-30-30	1500-3000
SA-00-40-40	2500-4000

6 WAY DUAL RELIEF

- MADE FOR 2 DOUBLE ACTING CYLINDERS
- 15 GPM MAXIMUM FLOW
- 3000 PSI MAXIMUM PRESSURE
- 100-2100 PSI PRESSURE RANGE
- SAE 08 PORTS
- MADE IN ALUMINUM

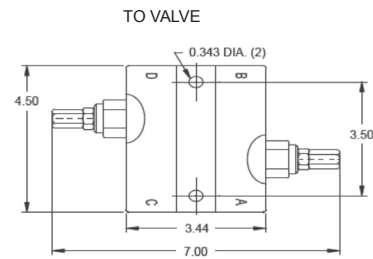


PART NO: 93405001

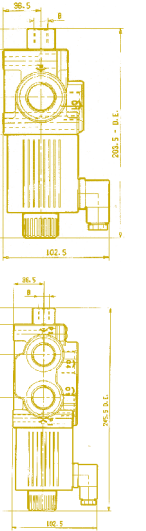
PILOTED RELIEF

- 30 GPM MAX
- 3000 PSI MAX
- MADE IN CAST IRON

PART NUMBER	PORTS	PSI RANGE
DRV-4LL	1/2 NPT	500-1500
DRV-4HH	1/2 NPT	1500-3000
DRV-5HH	SAE 08	1500-3000
DRV-2HH	3/4 NPT	1500-3000
DRV-2LL	3/4 NPT	500-1500
DRV-1HH	SAE 12	1500-3000



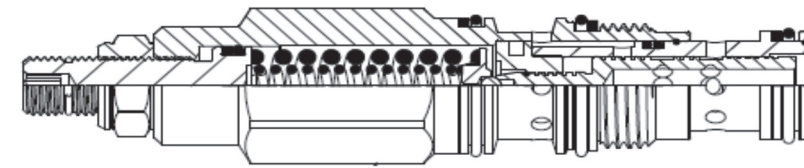
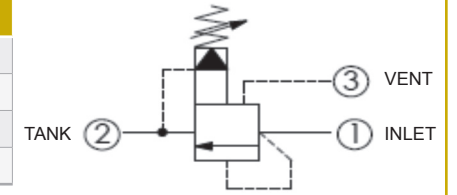
TO ACTUATOR



VENTED RELIEF

- 5000 PSI MAXIMUM PRESSURE
- 100-3000 PSI ADJUSTMENT RANGE

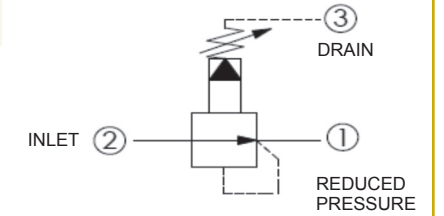
PART NUMBER	MAX GPM	CAVITY	SUN NO
RV11A30AL	15	T11-A	RVCA-LAN
RV2A30AL	30	T2-A	RVEA-LAN
RV17A30AL	60	T-17A	RVGA-LAN
RV19A30AL	120	T-19A	RVIA-LAN



PRESSURE REDUCING

- 5000 PSI MAXIMUM PRESSURE
- 100-3000 PSI ADJUSTMENT RANGE

PART NUMBER	MAX GPM	CAVITY	SUN NO
PB11A30AL	10	T11-A	PBDB-LAN
PB2A30AL	20	T2-A	PBFB-LAN
PB17A30AL	40	T-17A	PBHB-LAN
PBJB-LAN	80	T-19A	PBJB-LAN



PRESSURE REDUCING / RELIEVING

PART NUMBER	MAX GPM	MAX PSI	PSI RANGE	CAVITY	SUN NO
DF-PRP-00-3000	10	3000	100-3000	C10-3	
SK-PRP-00-3000	20		500-3000	C16-3	
PP11A30AL	10	5000	100-3000	T-11A	PPDB-LAN
PP2A30AL	20			T-2A	PPFB-LAN
PP17A30AL	40			T-17A	PPHB-LAN
PP19A30AL	80			T-19A	PPJB-LAN

