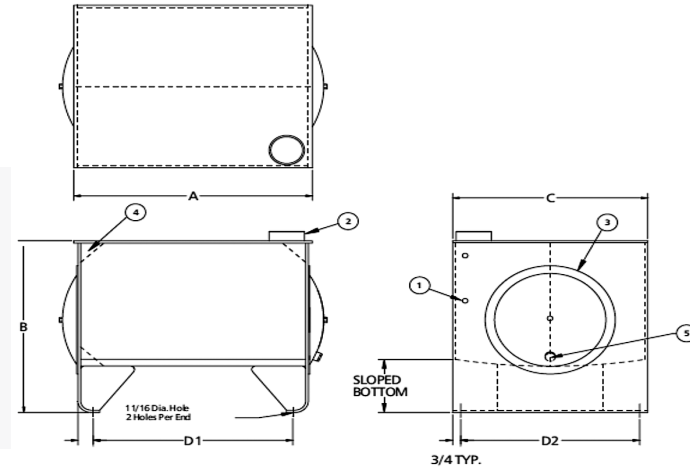


## J.I.C. RESERVOIRS

### EACH STYLE T1 RESERVOIR INCLUDES:

- (1) OIL LEVEL & TEMP. GAUGE HOLES
- (1) FILLER BREATHER RISER
- (2) STEEL END-COVERS WITH GASKETS
- BAFFLE WITH CUTOUTS FOR CIRCULATION
- (1) 3/4" SAE DRAIN IN END COVER
- EXTERIOR OF RESERVOIR PRIME PAINTED
- INTERIOR OF RESERVOIR COATED WITH RUST PREVENTIVE OIL

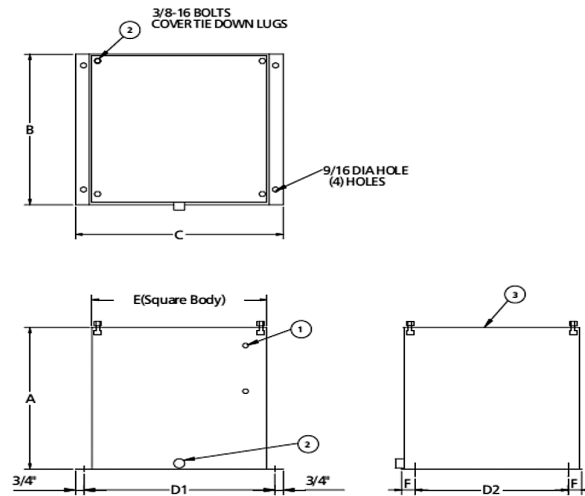


CAPACITY GALLONS	PART NUMBER	TANK DIMENSIONS (INCHES)						MATERIAL THICKNESS		SHIPPING WEIGHT LBS
		A LENGTH	B HEIGHT	C WIDTH	MOUNTING CENTERS		END COVER	END	TOP	
					D1±1/8	D2±1/8				
10	T1.10	22"	19 3/8"	18"	18 1/4"	16 1/2"	12"	7 GA	7 GA	105
15	T1.15	26"	19 3/8"	18"	22 1/4"	16 1/2"	12"	7 GA	7 GA	105
*20	T1.20	30"	19 3/8"	18"	26 1/4"	16 1/2"	12"	7 GA	7 GA	125
*30	T1.30	36"	19 3/8"	24"	32 1/4"	22 1/2"	12"	7 GA	7 GA	178
*40	T1.40	36"	21"	24"	32 1/4"	22 1/2"	12"	7 GA	7 GA	190
50	T1.50	36"	23"	24"	32 1/4"	22 1/2"	16"	7 GA	7 GA	200
*60	T1.60	48"	20 11/16"	27"	44 1/4"	25 1/2"	16"	7 GA	3/8"	314
*80	T1.80	60"	21 1/2"	27"	56 1/4"	25 1/2"	16"	7 GA	3/8"	398
*100	T1.100	60"	23 1/2"	27"	56 1/4"	25 1/2"	16"	7 GA	3/8"	418

## VERTICAL NON-J.I.C. RESERVOIRS

### EACH STYLE TV RESERVOIR INCLUDES:

- OIL LEVEL & TEMP. GAUGE MOUNTING HOLES
- (4) COVER MOUNTING BOLTS
- CHANNEL GASKET FOR COVER PLATE SEAL
- 3/4" SAE DRAIN
- CUSTOMER CHOICE OF COVER PLATE
- OUTSIDE OF RESERVOIR PRIME PAINTED
- INTERIOR OF RESERVOIR COATED WITH RUST PREVENTIVE OIL



CAPACITY GALLONS	PART NUMBER	TANK DIMENSIONS (INCHES)						SHIPPING WEIGHT LBS	
		A	B	C	MOUNTING CENTERS		E		F
					D1±1/8	D2±1/8			
5	TV-172	10"	12 1/2"	14 1/2"	13 1/2"	10"	12"	1/2"	55
*10	TV-173	15 1/2"	17 1/2"	20"	18 3/4"	15"	17"	1 1/4"	65
*20	TV-174	18 1/2"	18"	20 1/2"	19 1/4"	15"	17 1/2"	1 1/2"	80
30	TV-175	26 1/2"	18"	20 1/2"	19 1/4"	15"	17 1/2"	1 1/2"	100