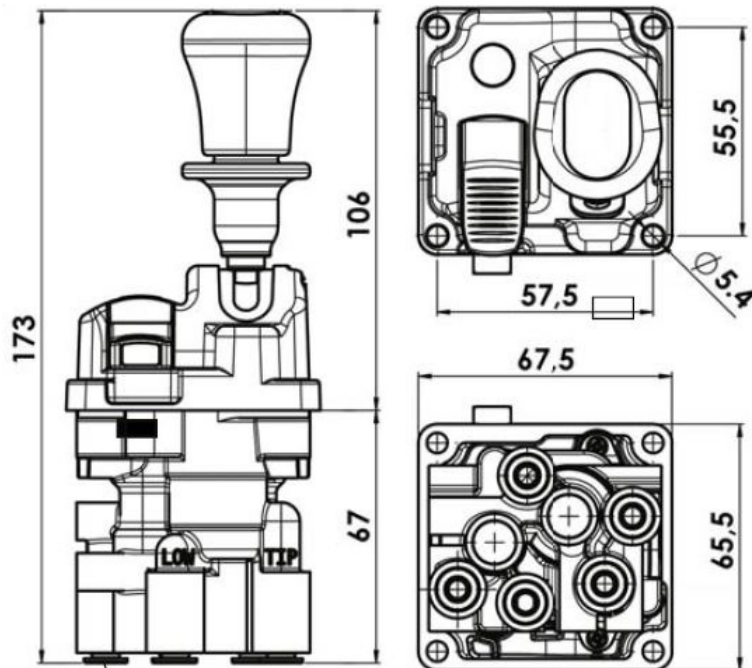
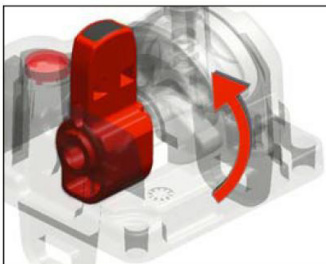
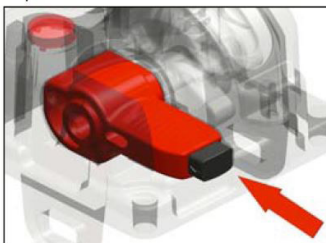
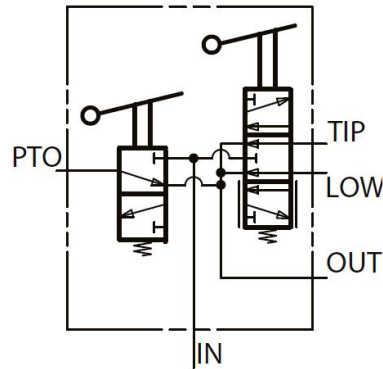
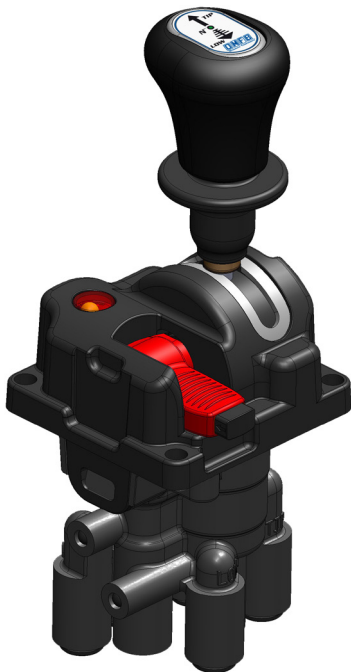


## PNEUMATIC CONTROLLER

AIR PROPORTIONAL CAB SWITCH WITH FULL INTEGRATED LEVER TO CONTROL BOTH PTO ENGAGEMENT AND TIP LIFTING/LOWERING. SEVERAL VERSIONS AVAILABLE TO MEET ANY REQUIREMENTS.

### NEW FEATURE

LOCK SWITCH TO CONTROL THE PTO IT IS NECESSARY TO PUSH THE BLACK SWITCH AND THEN LIFT THE LEVER UP. THIS LOCK PREVENTS FROM ACCIDENTAL PTO ENGAGEMENT OPERATIONS.



Integrated air fittings