

JOYSTICK HANDLES

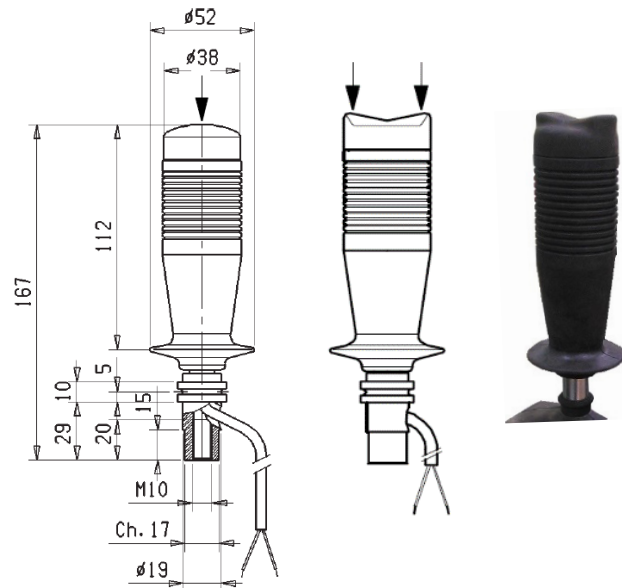
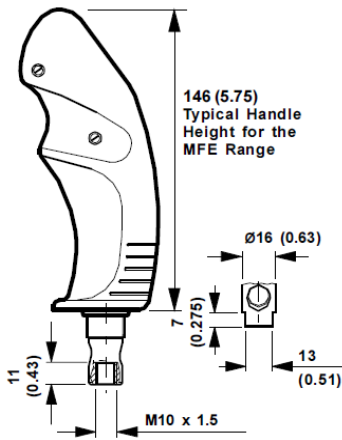
GENERAL SPECIFICATIONS

- POSSIBLE INSERTION OF PUSH BUTTONS: 1, 2, 4, 6
- PVC CABLES WITH DIAMETER FROM 0.5 MM² AND 256 WIRES FOR CABLE, STANDARD WIRE LENGTH 350 MM FROM THE HANDLE'S BASE
- CABLES TERMINAL SUPPLIED WITHOUT LEAD-IN WIRE
- MAX CURRENT ON CONTACTS : 3 AMPERE
- SAFETY PUSH BUTTON ON REQUEST
- ELECTRICAL LIFE : 10⁶ CYCLES (1 CYCLE = 2 SEC. "ON" / 2 SEC. OFF WITH CURRENT = 3A VOLTAGE = 12VDC AND WITH ARC SUPPRESSOR DIODE)
10⁵ CYCLES IF USED WITH CURRENT = 3A VOLTAGE = 12VDC AND WITH DIRECT CONNECTION



ECONOMIC HANDLES

PART NUMBER	DESCRIPTION
G9466012331	1 CONTACT
G9466012351	2 CONTACTS
E9634005553	2 DETENTS



NUMBER OF PUSH BUTTON

E9634006903	E9634006893	E9634006923	E9634006913