

PART NUMBER	CYLINDER BORE	OUTSIDE DIAMETER	ROD DIAMETER	A	B	C	D	E	F	G	H	PORTS*
WT3-15XX-S	1.50"	1.875"	1.00"	7.00"	1.25"	0.64"	2.43"	0.62"	2.00"	0.81"	1.87"	SAE 6
WT3-20XX-S	2.00"	2.375"	1.25"	8.00"	1.25"	0.76"	3.37"	0.75"	2.50"	0.81"	1.87"	SAE 8
WT3-25XX-S	2.50"	2.875"	1.37"	8.00"	1.25"	0.76"	3.12"	0.75"	3.00"	0.81"	2.06"	SAE 8
WT3-30XX-S	3.00"	3.50"	1.50"	8.00"	1.50"	1.01"	2.56"	1.00"	3.50"	0.81"	2.18"	SAE 8
WT3-35XX-S	3.50"	4.00"	1.75"	8.00"	1.50"	1.01"	2.43"	1.00"	4.00"	0.81"	2.18"	SAE 8
WT3-40XX-S	4.00"	4.50"	2.00"	9.00"	2.00"	1.26"	2.43"	1.25"	4.50"	0.81"	2.18"	SAE 8

1. FOR 8" STROKE : A = 12.25" (2" TO 4" BORE)
 2. FOR 8" STROKE : E = 5.12" (2" TO 4" BORE)
 MAXIMUM RETRACTED WORKING PRESSURE : 3000 PSI

*NPT PORTS ARE ALSO AVAILABLE
 MAXIMUM RETRACTED WORKING PRESSURE : 3000 PSI
 MAXIMUM EXTENDED WORKING PRESSURE : TABLE
 RETRACTED AND STROKE TOLERANCE ± 1/8"

UTILITY CYLINDER THROUGH HOLE TYPE

PART NUMBER	BORE & STROKE	DIMENSIONS		ROD DIAMETER	PIN SIZE	PORTS*	COLUMN LOADS (LBS)	PRESSURE (PSI)	WEIGHT (LBS)
		RETRACTED	EXTENDED						
WT3-1504-S	1.5" X 4"	11"	15"	1"	5/8"	SAE 6	5300	3000	7
WT3-1506-S	1.5" X 6"	13"	19"				5300	3000	8
WT3-1508-S	1.5" X 8"	15"	23"				5300	3000	9
WT3-1510-S	1.5" X 10"	17"	27"				5300	3000	11
WT3-1512-S	1.5" X 12"	19"	31"				5300	3000	12
WT3-1514-S	1.5" X 14"	21"	35"				5300	3000	13
WT3-1516-S	1.5" X 16"	23"	39"				5300	3000	14
WT3-2004-S	2" X 4"	12"	16"	1-1/4"	3/4"	SAE 8	9400	3000	11
WT3-2006-S	2" X 6"	14"	20"				9400	3000	12
WT3-2008-S	2" X 8"	16"	24"				9400	3000	14
WT3-2010-S	2" X 10"	18"	28"				9400	3000	16
WT3-2012-S	2" X 12"	20"	32"				9400	3000	17
WT3-2014-S	2" X 14"	22"	36"				9400	3000	19
WT3-2016-S	2" X 16"	24"	40"				9400	3000	21
WT3-2018-S	2" X 18"	26"	44"				9400	3000	22
WT3-2020-S	2" X 20"	28"	48"				9400	3000	24
WT3-2024-S	2" X 24"	32"	56"				7300	2300	27
WT3-2028-S	2" X 28"	36"	64"				5600	1700	31
WT3-2030-S	2" X 30"	38"	68"				4900	1500	33
WT3-2032-S	2" X 32"	40"	72"				4400	1400	34
WT3-2036-S	2" X 36"	44"	80"				3500	1100	38
WT3-2040-S	2" X 40"	48"	88"				2900	900	41
WT3-2042-S	2" X 42"	50"	92"				2700	800	43
WT3-2048-S	2" X 48"	56"	104"				2100	600	48
WT3-2060-S	2" X 60"	68"	128"	1400	400	58			
WT3-2072-S	2" X 72"	80"	152"	900	300	68			

* NPT PORTS ARE ALSO AVAILABLE.
 NOTE : COLUMN LOAD IS THE MAXIMUM PUSHING LOAD SUGGESTED USING A MINIMUM SAFETY FACTOR OF 2 AND BASED ON A PIN TO PIN MOUNTING CALCULATION.

HYDRO CUSTOM IS NOT RESPONSIBLE FOR INCORRECT RESULTS OBTAINED WITH FIGURES IN THIS DOCUMENT. INFORMATION IS FOR REFERENCE ONLY. NO OTHER CONDITIONS ARE EXPRESSED OR IMPLIED.



WELDED THROUGH HOLE TYPE									
PART NUMBER	BORE & STROKE	DIMENSIONS		ROD DIAMETER	PIN SIZE	PORTS*	COLUMN LOADS (LBS)	PRESSURE (PSI)	WEIGHT (LBS)
		RETRACTED	EXTENDED						
WT3-3006	3" X 6"	14"	20"	1-1/2"	1"	SAE 8	21200	3000	21
WT3-3008	3" X 8"	16"	24"				21200	3000	24
WT3-3010	3" X 10"	18"	28"				21200	3000	26
WT3-3012	3" X 12"	20"	32"				21200	3000	28
WT3-3014	3" X 14"	22"	36"				21200	3000	31
WT3-3016	3" X 16"	24"	40"				21200	3000	33
WT3-3018	3" X 18"	26"	44"				21200	3000	36
WT3-3020	3" X 20"	28"	48"				20700	2900	38
WT3-3024	3" X 24"	32"	56"				15200	2100	43
WT3-3028	3" X 28"	36"	64"				11600	1600	48
WT3-3030	3" X 30"	38"	68"				10300	1400	51
WT3-3032	3" X 32"	40"	72"				9200	1300	53
WT3-3036	3" X 36"	44"	80"				7400	1000	58
WT3-3040	3" X 40"	48"	88"				6100	800	63
WT3-3042	3" X 42"	50"	92"				5600	700	65
WT3-3048	3" X 48"	56"	104"				4400	600	73
WT3-3060	3" X 60"	68"	128"				2900	400	87
WT3-3504	3.5" X 4"	12"	16"	1-3/4"	1"	SAE 8	28800	3000	24
WT3-3506	3.5" X 6"	14"	20"				28800	3000	27
WT3-3508	3.5" X 8"	16"	24"				28800	3000	30
WT3-3510	3.5" X 10"	18"	28"				28800	3000	33
WT3-3512	3.5" X 12"	20"	32"				28800	3000	36
WT3-3514	3.5" X 14"	22"	36"				28800	3000	39
WT3-3516	3.5" X 16"	24"	40"				28800	3000	42
WT3-3518	3.5" X 18"	26"	44"				28800	3000	45
WT3-3520	3.5" X 20"	28"	48"				28800	3000	48
WT3-3524	3.5" X 24"	32"	56"				28100	2900	54
WT3-3528	3.5" X 28"	36"	64"				21500	2200	60
WT3-3530	3.5" X 30"	38"	68"				19100	1900	63
WT3-3532	3.5" X 32"	40"	72"				17000	1700	66
WT3-3536	3.5" X 36"	44"	80"				13800	1400	72
WT3-3540	3.5" X 40"	48"	88"				11400	1100	79
WT3-3542	3.5" X 42"	50"	92"				10400	1000	82
WT3-3548	3.5" X 48"	56"	104"				8100	800	91

* NPT PORTS ARE ALSO AVAILABLE.

NOTE : COLUMN LOAD IS THE MAXIMUM PUSHING LOAD SUGGESTED USING A MINIMUM SAFETY FACTOR OF 2 AND BASED ON A PIN TO PIN MOUNTING CALCULATION.

HYDRO CUSTOM IS NOT RESPONSIBLE FOR INCORRECT RESULTS OBTAINED WITH FIGURES IN THIS DOCUMENT. INFORMATION IS FOR REFERENCE ONLY. NO OTHER CONDITIONS ARE EXPRESSED OR IMPLIED.

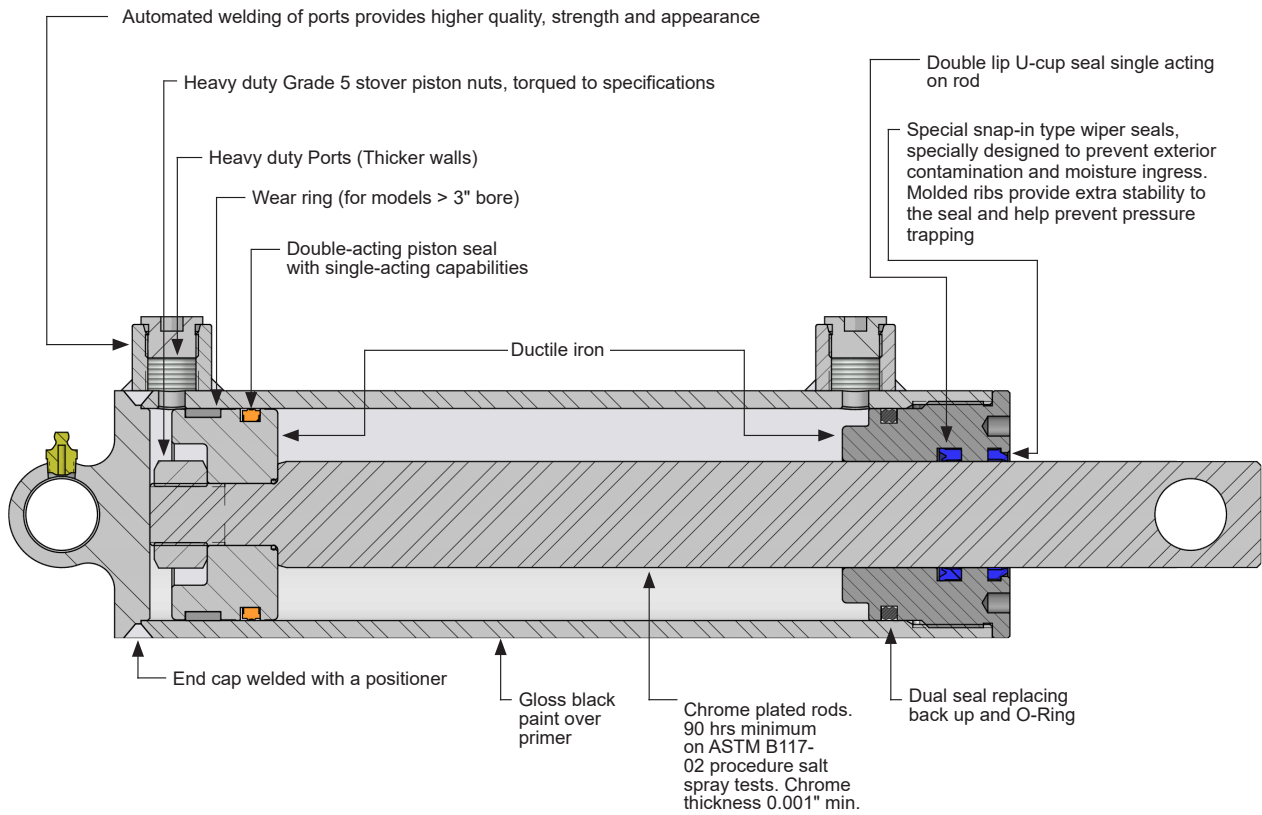


WELDED THROUGH HOLE TYPE									
PART NUMBER	BORE & STROKE	DIMENSIONS		ROD DIAMETER	PIN SIZE	PORTS*	COLUMN LOADS (LBS)	PRESSURE (PSI)	WEIGHT (LBS)
		RETRACTED	EXTENDED						
WT3-4008	4" X 8"	17"	25"	2"	1-1/4"	SAE 8	37700	3000	40
WT3-4010	4" X 10"	19"	29"				37700	3000	44
WT3-4012	4" X 12"	21"	33"				37700	3000	47
WT3-4014	4" X 14"	23"	37"				37700	3000	51
WT3-4016	4" X 16"	25"	41"				37700	3000	55
WT3-4018	4" X 18"	27"	45"				37700	3000	58
WT3-4020	4" X 20"	29"	49"				37700	3000	62
WT3-4024	4" X 24"	33"	57"				37700	3000	70
WT3-4028	4" X 28"	37"	65"				35600	2800	77
WT3-4030	4" X 30"	39"	69"				31600	2500	81
WT3-4032	4" X 32"	41"	73"				28300	2200	84
WT3-4036	4" X 36"	45"	81"				22900	1800	91
WT3-4040	4" X 40"	49"	89"				19000	1500	99
WT3-4048	4" X 48"	57"	105"				13600	1000	114
WT3-4060	4" X 60"	69"	129"				9000	700	136

* NPT PORTS ARE ALSO AVAILABLE.

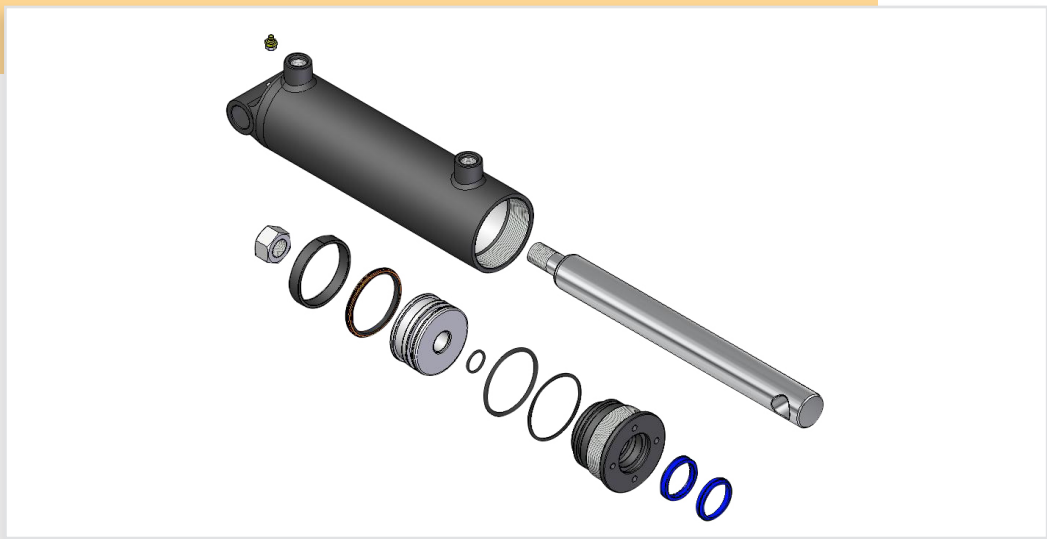
NOTE : COLUMN LOAD IS THE MAXIMUM PUSHING LOAD SUGGESTED USING A MINIMUM SAFETY FACTOR OF 2 AND BASED ON A PIN TO PIN MOUNTING CALCULATION.

HYDRAULIC CYLINDERS



SEAL TEMPERATURE RANGE : -30°C / +100°C (-22°F / +212°F)
 SEAL MAXIMUM SPEED : 3 FT / SEC

- All seals are top grade/first quality North American made
- All components are cnc machined for higher accuracy and conformity
- Quality controlled in China by qualified Canadian technicians
- 100% Tested. All cylinders are submitted to static and dynamic pressure tests to recommended specifications



HYDRO CUSTOM IS NOT RESPONSIBLE FOR INCORRECT RESULTS OBTAINED WITH FIGURES IN THIS DOCUMENT. INFORMATION IS FOR REFERENCE ONLY. NO OTHER CONDITIONS ARE EXPRESSED OR IMPLIED.