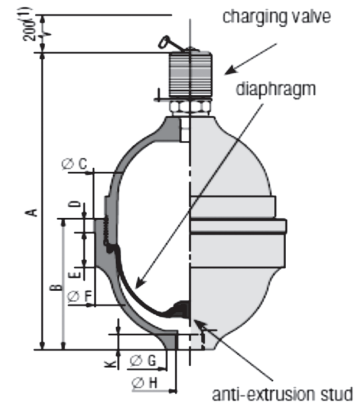


ASA MODELS

- DIAPHRAGM TYPE
- REPAIRABLE
- SCHRADER VALVE ON TOP

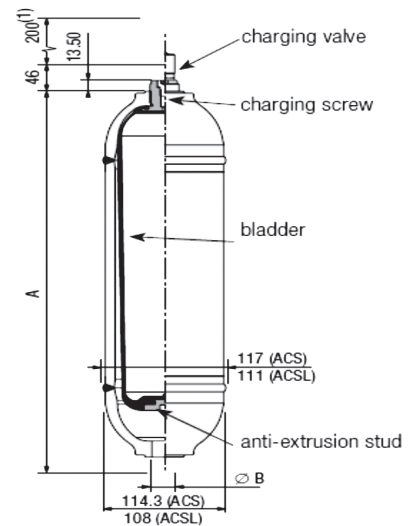
PART NUMBER	VOLUME	MAX PSI	PORT "H"	DIM "A"	DIAM. "C"
060932	0.2 L	5880	G 1/4"	5.91"	3.33"
060972	0.5 L		G 3/8"	7.24"	4.49"
060782	0.7 L	3675	M18X1.5	7.76"	4.7"
060110	1 L	5880			6.44"



ACSA & ACSL MODELS

- ECONOMICAL
- NON-REPAIRABLE
- BLADDER TYPE

PART NUMBER	VOLUME	MAX PSI	PORT "B"	DIM "A"	VALVE
068275	0.7 L	3000	SAE 08	6.93"	SCREW
066845		4800			SCHRADER
065947		4800		SCHRADER	
068280	1 L	3000		9.69"	SCREW
066855		4800			SCHRADER
065965	1.5 L	4800		15.4"	SCREW
065945			SCREW		
066865	2L	3000	12.4"	SCREW	
068525				SCHRADER	
066875	2.5 L	4800	SAE 08	18.27"	SCREW
066685			SAE 12		SCHRADER
066885	4 L	4800	SAE 08	27.4"	SCREW
066690			SAE 12		SCHRADER



ABVE MODELS

- BLADDER TYPE
- REPAIRABLE
- SCHRADER VALVE ON TOP

PART NUMBER	VOLUME	MAX PSI	PORT "B"	DIM "A"	DIAM. "C"
066850	4 L	5145	SAE 20	17.24"	6.7"
066860	10 L	4800		22.8"	
066870	20 L			34.6"	9.02 "
066880	32 L			55.12"	
066890	50 L			75.35"	

