

**TANK TOP RETURN FILTER**

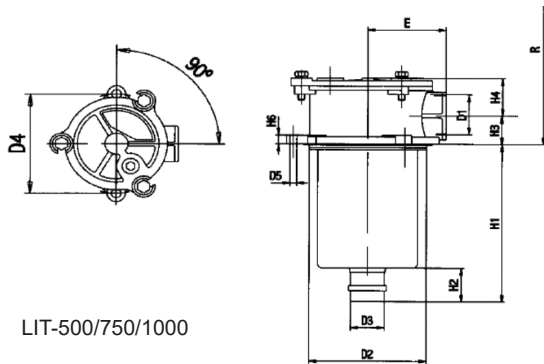
- 100 PSI MAXIMUM WORKING PRESSURE
- 10 MICRONS PAPER MEDIA
- OTHER MICRONS AND MEDIA AVAILABLE

PART NUMBER	MAX GPM	THREAD	MEDIA
LIT-750-10P	25	3/4 NPT	10 MICRONS PAPER
LIT-1250-10P	80	1 1/4 NPT	
LITA-1250-10P	80	SAE 20	



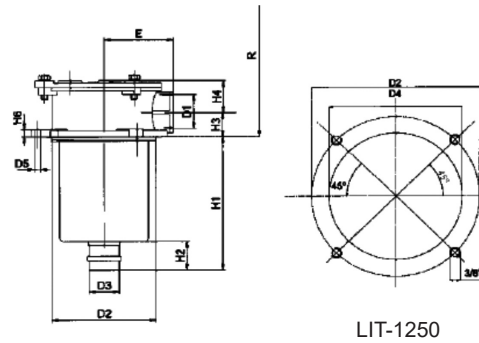
**SPARE ELEMENTS FOR LIT-750**

PART NUMBER	MEDIA
LIT-752-10P	10 MICRONS PAPER
LIT-752-25P	25 MICRONS PAPER
LIT-752-10SYN	10 MICRONS SYNTHETIC



**SPARE ELEMENTS FOR LIT-1250**

PART NUMBER	MEDIA
LIT-1252-10P	10 MICRONS PAPER
LIT-1252-25P	25 MICRONS PAPER
LIT-1252-10SYN	10 MICRONS SYNTHETIC



**MEDIUM PRESSURE FILTER**

- 350 PSI MAXIMUM WORKING PRESSURE
- OTHER MICRONS AND MEDIA AVAILABLE

PART NUMBER	MAX GPM	THREAD	MEDIA
DH-750-800-RR	18	3/4 NPT	10 MICRONS PAPER
DH-1250-800-RR	45	1 1/4 NPT	
DH1500-800-RR		1 1/2 NPT	30 MICRONS PAPER
DH1500-400-RR	55	1 1/2 NPT	



**SPARE ELEMENTS FOR DH-750 & DH-1000**

PART NUMBER	MEDIA
8-03	10 MICRONS PAPER
4-03	30 MICRONS PAPER
5062-100	100 WIRE MESH

**SPARE ELEMENTS FOR DH-1250 & DH-1500**

PART NUMBER	MEDIA
8-15	10 MICRONS PAPER
4-15	30 MICRONS PAPER
5064-100	100 WIRE MESH