

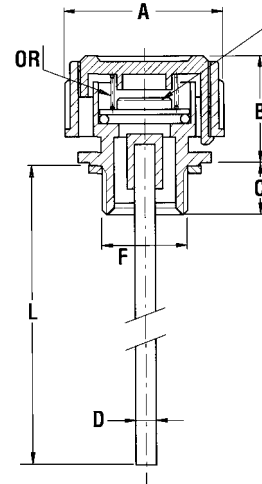


NY-LVB

Nylon Vent Breathers

Specifications

- 1/4", 3/8", 1/2" NPT Vent Filler Breathers
- Valve opens when pressure exceeds 4 PSI (.25 Bar) avoids loss of oil and valve allows excess pressure to escape
- Thermoplastic Polyamide 66 material marked with check valve symbol
- Maximum operating temperature 212° F (100° C)
- Compatible with petroleum based fluids, gasoline, Fuel, and variety of solvents
- Not compatible with alcohol
- Buna Seals, Stainless Steel Springs
- Anti splash option available
- Maximum Pressure 44 PSI (3 Bar)
- Optional steel dipstick available up to 7.9 inches (200 mm) and can be marked upon request



Dimensional Detail

MODEL NO.		F	OR	L	A	B	C	D
NY-LVB-4	IN	1/4"	4 PSI	7.7"	1.2"	0.8"	0.5"	0.2"
	MM		0.3 Bar	195	30	21	12	4
NY-LVB-6	IN	3/8"	4 PSI	7.7"	1.2"	0.8"	0.5"	0.2"
	MM		0.3 Bar	195	30	21	12	4
NY-LVB-8	IN	1/2"	4 PSI	7.7"	1.2"	0.8"	0.6"	0.2"
	MM		0.3 Bar	195	30	21	14	4
NY-LVB-12	IN	3/4"	4 PSI	7.7"	1.8"	0.9"	0.55"	0.2"
	MM		0.3 Bar	195	47	22	14	5

ADD AS - As prefix for Anti-splash
ADD DIP Suffix for Dipstick

NYPO-24

Push on Breathers

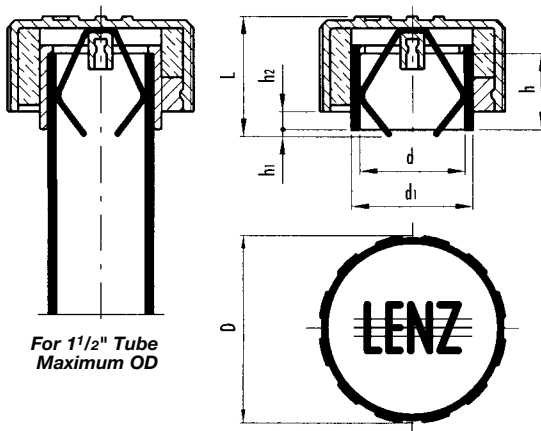
Specifications

- Thermoplastic Polyamide 66 material
- Maximum operating temperature 212° (100 C)
- Compatible with petroleum based fluids, gasoline, grease
- Spring steel plated clip
- 10 or 40 micron polyurethane elements
- Maximum tube outside diameter 1.5" or 39 MM
- Optional steel dipstick available

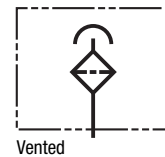


Dimensional Detail

MODEL NO.		d	h	D	L	d1	h1	h2	LBS/GR
NYPO-24	IN	1.5"	1.1"	2.8"	1.9"	1.8"	0.1"	0.3"	0.2"
	MM	39	28	70	48	45	3	7	67
NYPO-24-10M	IN	1.5"	1.1"	2.8"	1.9"	1.8"	0.1"	0.3"	0.2"
	MM	39	28	70	48	45	3	7	67



For 1 1/2" Tube
Maximum OD



Optional Dipstick