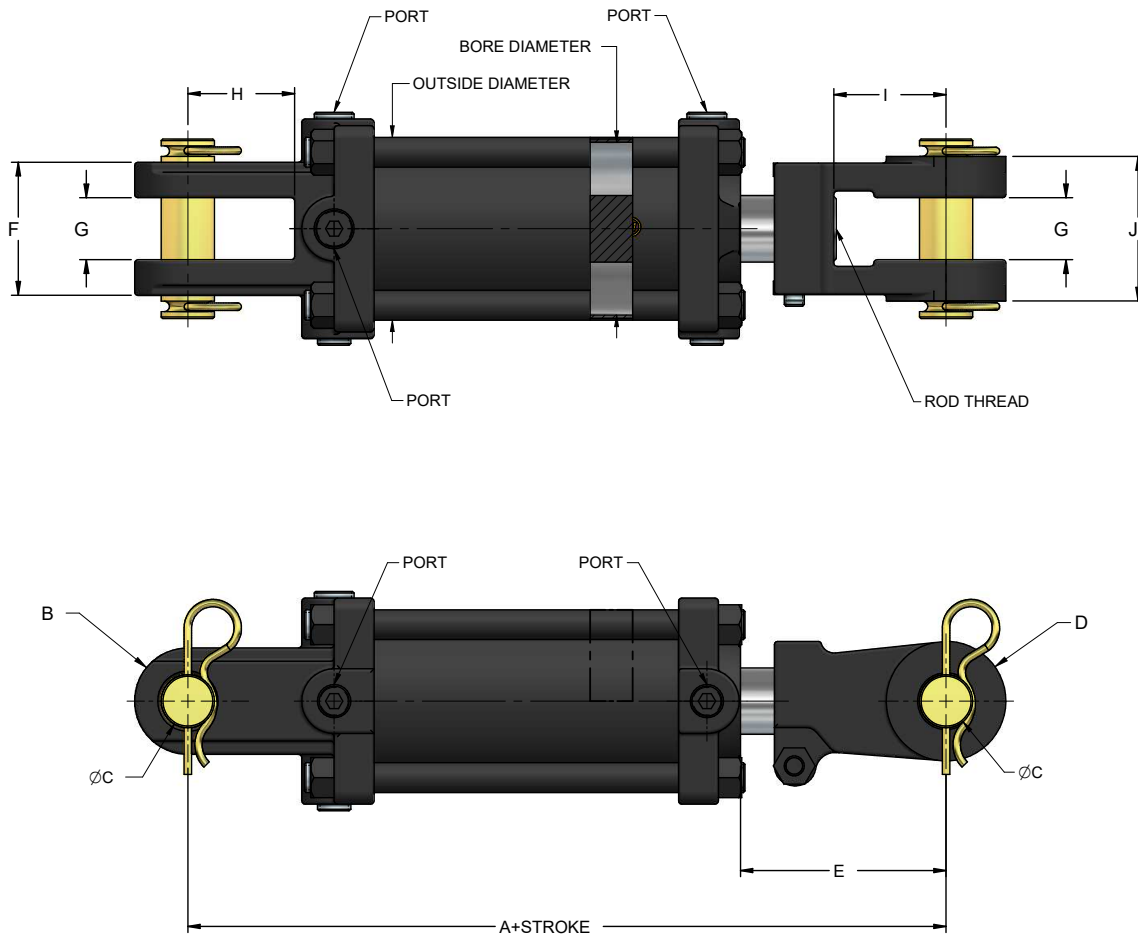


HYDRAULIC CYLINDERS



PART NUMBER	CYLINDER BORE	OUTSIDE DIAMETER	ROD THREAD <sup>1</sup>	A <sup>2</sup>	B	C <sup>3</sup>	D <sup>4</sup>	E <sup>5</sup>	F	G	H	I	J <sup>4</sup>	PORTS
TR2.5-20-LA4	2.00"	2.38"	1.125-12 UNF	10.25"	2.00"	1.01"	2.00"	4.17"	2.44"	1.14"	2.00"	2.12"	2.50"	3/8 NPT & SAE 8
TR2.5-25-LA4	2.50"	2.89"	1.125-12 UNF	10.25"	2.00"	1.01"	2.00"	4.17"	2.44"	1.14"	2.00"	2.12"	2.50"	3/8 NPT & SAE 8
TR2.5-30-LA4	3.00"	3.39"	1.25-12 UNF	10.25"	2.00"	1.01"	2.00"	4.14"	2.72"	1.14"	2.00"	2.12"	2.72"	1/2 NPT & SAE 8
TR2.5-35-LA4	3.50"	3.87"	1.25-12 UNF	10.25"	2.00"	1.01"	2.00"	4.09"	2.72"	1.14"	2.00"	2.12"	2.72"	1/2 NPT & SAE 8
TR2.5-40-LA4	4.00"	4.50"	1.25-12 UNF	10.25"	2.00"	1.01"	2.00"	3.82"	2.72"	1.14"	2.12"	2.12"	2.72"	1/2 NPT & SAE 8
TR2.5-50-LA4	5.00"	5.50"	1.500-12 UNF	12.25"	2.75"	1.26"	2.75"	5.00"	2.87"	1.25"	2.12"	2.12"	2.95"	1/2 NPT & SAE 10

1. FOR TR2.5-2518 TO TR2.5-2536: ROD THREAD= 1.250-12 UNF
2. FOR 8.00" ASAE STROKE: A= 12.25"  
FOR 16.00" ASAE STROKE: A= 15.50"
3. FOR 16.00" ASAE STROKE: C= 1.26"
4. FOR TR2.5-4016-ASAE TO TR2.5-4036: D= 2.50" J=2.75" ROD THREAD= 1.500-12 UNF
5. FOR 8.00" ASAE STROKE: E= 5.75" (2.00" TO 3.00" BORE) E=5.62" (3.50" BORE) E=5.56" (4.00" BORE)  
FOR 16.00" ASAE STROKE: E= 9.00" (2.00" TO 3.00" BORE) E=8.87" (3.50" BORE) E=8.81" (4.00" BORE)

MAXIMUM RETRACTED WORKING PRESSURE= 2500 psi  
 MAXIMUM EXTENDED WORKING PRESSURE= SEE TABLE  
 FOR ALL CYLINDER, RETRACTED TOLERANCE ± 1/8"

HYDRO CUSTOM IS NOT RESPONSIBLE FOR INCORRECT RESULTS OBTAINED WITH FIGURES IN THIS DOCUMENT. INFORMATION IS FOR REFERENCE ONLY. NO OTHER CONDITIONS ARE EXPRESSED OR IMPLIED.



AGRICULTURAL									
PART NUMBER	BORE & STROKE	DIMENSIONS		ROD DIAMETER	PIN SIZE	PORTS	COLUMN LOADS (LBS)	PRESSURE (PSI)	WEIGHT (LBS)
		RETRACTED	EXTENDED						
TR2.5-2004-LA4	2" X 4"	14 1/4"	18 1/4"	1-1/8"	1"	SAE 6 & 3/8 NPT	7800	2500	16
TR2.5-2006-LA4	2" X 6"	16 1/4"	22 1/4"				7800	2500	17
TR2.5-2008-LA4	2" X 8"	18 1/4"	26 1/4"				7800	2500	19
TR2.5-2008-ASAE-LA4*	2" X 8"	20 1/4"	28 1/4"				7800	2500	20
TR2.5-2010-LA4	2" X 10"	20 1/4"	30 1/4"				7800	2500	20
TR2.5-2012-LA4	2" X 12"	22 1/4"	34 1/4"				7800	2500	22
TR2.5-2014-LA4	2" X 14"	24 1/4"	38 1/4"				7800	2500	24
TR2.5-2016-LA4	2" X 16"	26 1/4"	42 1/4"				7800	2500	25
TR2.5-2018-LA4	2" X 18"	28 1/4"	46 1/4"				7000	2200	27
TR2.5-2020-LA4	2" X 20"	30 1/4"	50 1/4"				5900	1900	28
TR2.5-2024-LA4	2" X 24"	34 1/4"	58 1/4"				4400	1400	31
TR2.5-2030-LA4	2" X 30"	40 1/4"	70 1/4"				3000	900	36
TR2.5-2036-LA4	2" X 36"	46 1/4"	82 1/4"				2200	700	41
TR2.5-2040-LA4	2" X 40"	50 1/4"	90 1/4"				1700	500	44
TR2.5-2048-LA4	2" X 48"	58 1/4"	106 1/4"				1300	400	49
TR2.5-2504-LA4	2.5" X 4"	14 1/4"	18 1/4"				1-1/8"	1"	SAE 6 & 3/8 NPT
TR2.5-2506-LA4	2.5" X 6"	16 1/4"	22 1/4"	12200	2500	21			
TR2.5-2508-LA4	2.5" X 8"	18 1/4"	26 1/4"	12200	2500	22			
TR2.5-2508-ASAE-LA4*	2.5" X 8"	20 1/4"	28 1/4"	12200	2500	23			
TR2.5-2510-LA4	2.5" X 10"	20 1/4"	30 1/4"	12200	2500	24			
TR2.5-2512-LA4	2.5" X 12"	22 1/4"	34 1/4"	12200	2500	26			
TR2.5-2514-LA4	2.5" X 14"	24 1/4"	38 1/4"	10300	2100	28			
TR2.5-2516-LA4	2.5" X 16"	26 1/4"	42 1/4"	8400	1700	29			
TR2.5-2518-LA4	2.5" X 18"	28 1/4"	46 1/4"	7000	1400	32			
TR2.5-2520-LA4	2.5" X 20"	30 1/4"	50 1/4"	5900	1200	34			
TR2.5-2524-LA4	2.5" X 24"	34 1/4"	58 1/4"	4400	900	38			
TR2.5-2530-LA4	2.5" X 30"	40 1/4"	70 1/4"	4400	900	43			
TR2.5-2536-LA4	2.5" X 36"	46 1/4"	82 1/4"	3400	600	49			
TR2.5-2540-LA4	2.5" X 40"	50 1/4"	90 1/4"	2700	500	54			
TR2.5-2548-LA4	2.5" X 48"	58 1/4"	106 1/4"	2000	400	60			
TR2.5-3004-LA4	3" X 4"	14 1/4"	18 1/4"	1-1/4"	1"	SAE 8 & 1/2 NPT			
TR2.5-3006-LA4	3" X 6"	16 1/4"	22 1/4"				17600	2500	26
TR2.5-3008-LA4	3" X 8"	18 1/4"	26 1/4"				17600	2500	28
TR2.5-3008-ASAE-LA4*	3" X 8"	20 1/4"	28 1/4"				17600	2500	29
TR2.5-3010-LA4	3" X 10"	20 1/4"	30 1/4"				17600	2500	30
TR2.5-3012-LA4	3" X 12"	22 1/4"	34 1/4"				17600	2500	33
TR2.5-3014-LA4	3" X 14"	24 1/4"	38 1/4"				15700	2200	35
TR2.5-3016-LA4	3" X 16"	26 1/4"	42 1/4"				12800	1800	37
TR2.5-3016-ASAE-LA4*	3" X 16"	31 1/2"	47 1/2"		9200	1300	42		
TR2.5-3018-LA4	3" X 18"	28 1/4"	46 1/4"		11300	1600	42		
TR2.5-3020-LA4	3" X 20"	30 1/4"	50 1/4"		9200	1300	44		
TR2.5-3024-LA4	3" X 24"	34 1/4"	58 1/4"		6700	900	49		
TR2.5-3030-LA4	3" X 30"	40 1/4"	70 1/4"		9600	1300	57		
TR2.5-3036-LA4	3" X 36"	46 1/4"	82 1/4"		7000	900	65		
TR2.5-3040-LA4	3" X 40"	50 1/4"	90 1/4"		5700	800	70		
TR2.5-3048-LA4	3" X 48"	58 1/4"	106 1/4"		3900	500	80		

NOTE : COLUMN LOAD IS THE MAXIMUM PUSHING LOAD SUGGESTED USING A MINIMUM SAFETY FACTOR OF 2 AND BASED ON A PIN TO PIN MOUNTING CALCULATION.

\* ASAE = AMERICAN SOCIETY OF AGRICULTURE ENGINEERS  
 DESIGNATES AN INDUSTRY MOUNTING STANDARD FOR 8" AND 16" STROKE CYLINDERS

HYDRO CUSTOM IS NOT RESPONSIBLE FOR INCORRECT RESULTS OBTAINED WITH FIGURES IN THIS DOCUMENT. INFORMATION IS FOR REFERENCE ONLY. NO OTHER CONDITIONS ARE EXPRESSED OR IMPLIED.

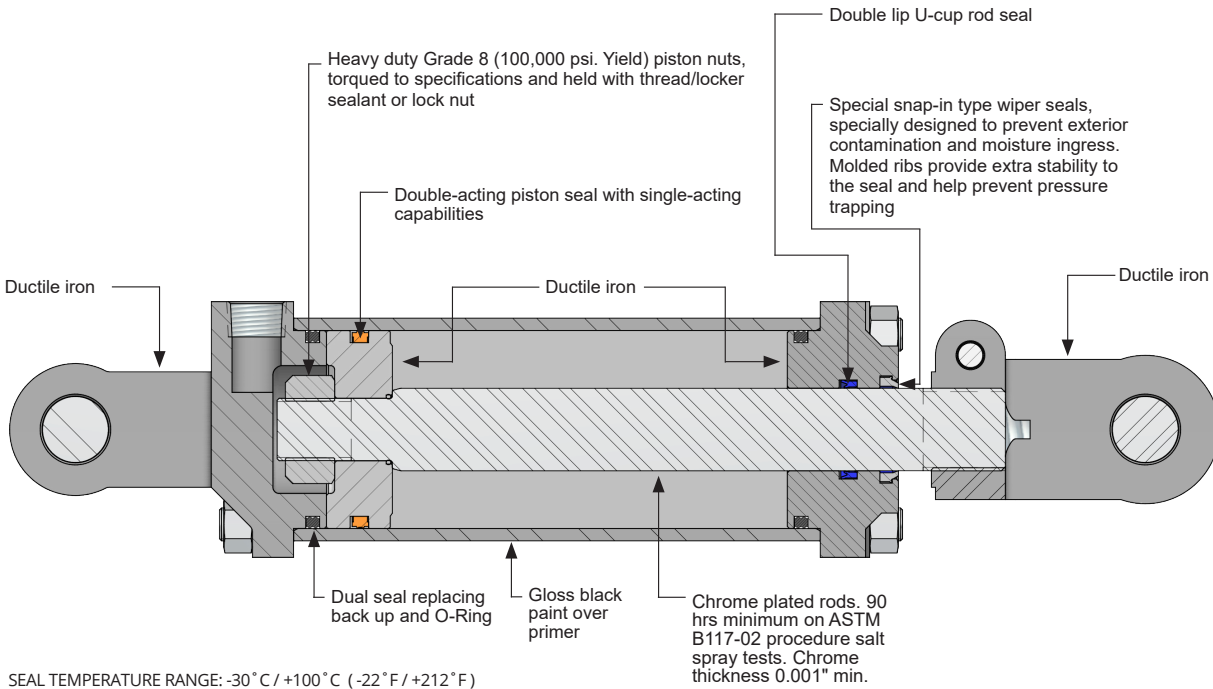


AGRICULTURAL									
PART NUMBER	BORE & STROKE	DIMENSIONS		ROD DIAMETER	PIN SIZE	PORTS	COLUMN LOADS (LBS)	PRESSURE (PSI)	WEIGHT (LBS)
		RETRACTED	EXTENDED						
TR2.5-3504-LA4	3.5" X 4"	14 1/4"	18 1/4"	1 1/4"	1"	SAE 8 & 1/2 NPT	24000	2500	29
TR2.5-3506-LA4	3.5" X 6"	16 1/4"	22 1/4"				24000	2500	32
TR2.5-3508-LA4	3.5" X 8"	18 1/4"	26 1/4"				24000	2500	34
TR2.5-3508-ASAE-LA4*	3.5" X 8"	20 1/4"	28 1/4"				24000	2500	35
TR2.5-3510-LA4	3.5" X 10"	20 1/4"	30 1/4"				24000	2500	37
TR2.5-3512-LA4	3.5" X 12"	22 1/4"	34 1/4"				19600	2000	39
TR2.5-3514-LA4	3.5" X 14"	24 1/4"	38 1/4"				15700	1600	42
TR2.5-3516-LA4	3.5" X 16"	26 1/4"	42 1/4"				12800	1300	44
TR2.5-3516-ASAE-LA4*	3.5" X 16"	31 1/2"	47 1/2"	1 1/2"	1 1/4"	21100	2100	50	
TR2.5-3518-LA4	3.5" X 18"	28 1/4"	46 1/4"	1 1/4"	1"	10700	1100	47	
TR2.5-3520-LA4	3.5" X 20"	30 1/4"	50 1/4"	9100		900	49		
TR2.5-3524-LA4	3.5" X 24"	34 1/4"	58 1/4"	14000		1400	58		
TR2.5-3530-LA4	3.5" X 30"	40 1/4"	70 1/4"	9600		1000	66		
TR2.5-3536-LA4	3.5" X 36"	46 1/4"	82 1/4"	7000		700	74		
TR2.5-3540-LA4	3.5" X 40"	50 1/4"	90 1/4"	5800		600	80		
TR2.5-3548-LA4	3.5" X 48"	58 1/4"	106 1/4"	3900		400	91		
TR2.5-4004-LA4	4" X 4"	14 1/4"	18 1/4"	1 1/2"		1"	31400	2500	33
TR2.5-4006-LA4	4" X 6"	16 1/4"	22 1/4"		31400		2500	36	
TR2.5-4008-LA4	4" X 8"	18 1/4"	26 1/4"		31400		2500	38	
TR2.5-4008-ASAE-LA4*	4" X 8"	20 1/4"	28 1/4"		31400		2500	39	
TR2.5-4010-LA4	4" X 10"	20 1/4"	30 1/4"		31400		2500	41	
TR2.5-4012-LA4	4" X 12"	22 1/4"	34 1/4"		31400		2500	44	
TR2.5-4014-LA4	4" X 14"	24 1/4"	38 1/4"		31400		2500	46	
TR2.5-4016-LA4	4" X 16"	26 1/4"	42 1/4"		26700		2100	49	
TR2.5-4016-ASAE-LA4*	4" X 16"	31 1/2"	47 1/2"	2"	1 1/4"	31400	2500	63	
TR2.5-4018-LA4	4" X 18"	28 1/4"	46 1/4"	1 1/2"	1"	22300	1700	55	
TR2.5-4020-LA4	4" X 20"	30 1/4"	50 1/4"			18800	1500	58	
TR2.5-4024-LA4	4" X 24"	34 1/4"	58 1/4"			14000	1100	64	
TR2.5-4024-175-LA4	4" X 24"	34 1/4"	58 1/4"			26000	2050	68	
TR2.5-4024-200-LA4	4" X 24"	34 1/4"	58 1/4"			31400	2500	73	
TR2.5-4030-LA4	4" X 30"	40 1/4"	70 1/4"			30500	2400	84	
TR2.5-4036-LA4	4" X 36"	46 1/4"	82 1/4"			22200	1700	95	
TR2.5-4040-LA4	4" X 40"	50 1/4"	90 1/4"			18200	1400	103	
TR2.5-4048-LA4	4" X 48"	58 1/4"	106 1/4"	2"	1"	13200	1000	118	

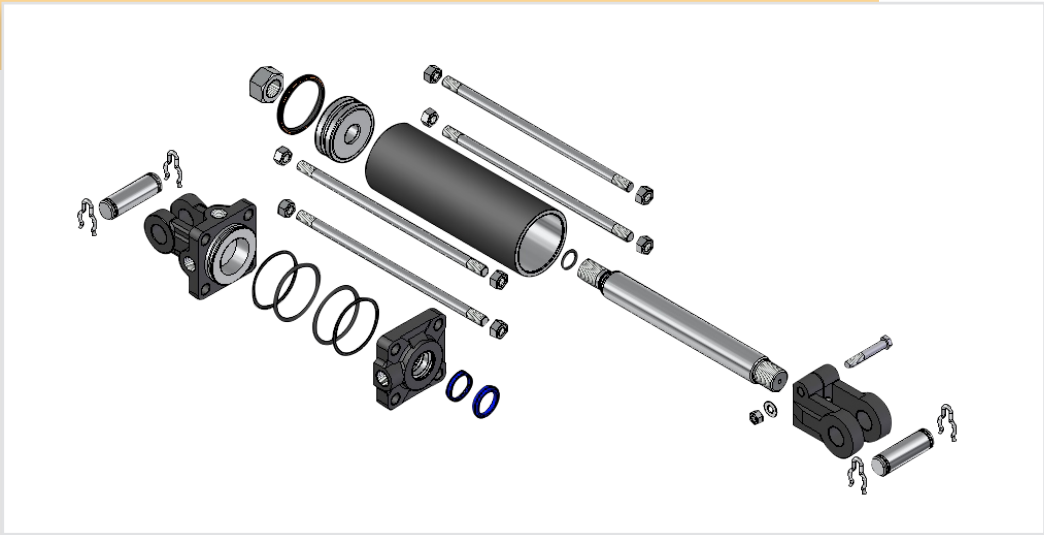
NOTE : COLUMN LOAD IS THE MAXIMUM PUSHING LOAD SUGGESTED USING A MINIMUM SAFETY FACTOR OF 2 AND BASED ON A PIN TO PIN MOUNTING CALCULATION.

\* ASAE = AMERICAN SOCIETY OF AGRICULTURE ENGINEERS  
DESIGNATES AN INDUSTRY MOUNTING STANDARD FOR 8" AND 16" STROKE CYLINDERS

HYDRO CUSTOM IS NOT RESPONSIBLE FOR INCORRECT RESULTS OBTAINED WITH FIGURES IN THIS DOCUMENT. INFORMATION IS FOR REFERENCE ONLY. NO OTHER CONDITIONS ARE EXPRESSED OR IMPLIED.



- All seals are top grade/first quality North American made
- All components are cnc machined for higher accuracy and conformity
- Quality controlled in China by qualified Canadian technicians
- 100% Tested. All cylinders are submitted to static and dynamic pressure tests to recommended specifications



HYDRO CUSTOM IS NOT RESPONSIBLE FOR INCORRECT RESULTS OBTAINED WITH FIGURES IN THIS DOCUMENT. INFORMATION IS FOR REFERENCE ONLY. NO OTHER CONDITIONS ARE EXPRESSED OR IMPLIED.