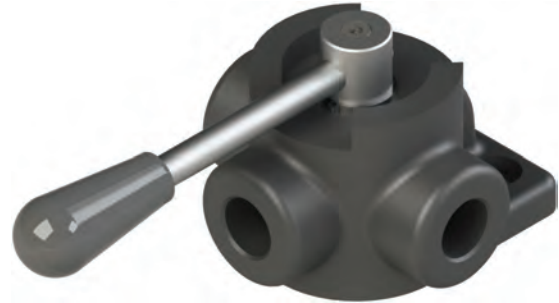
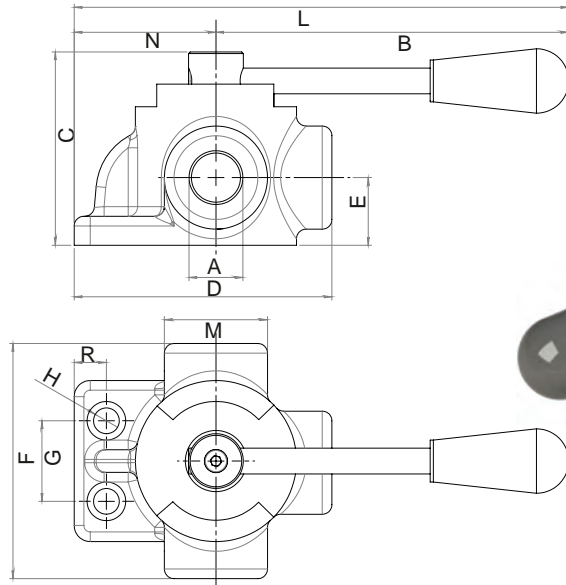


FD3W

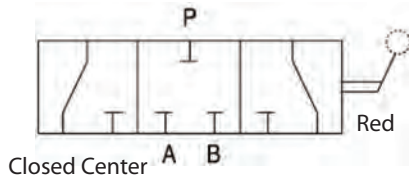
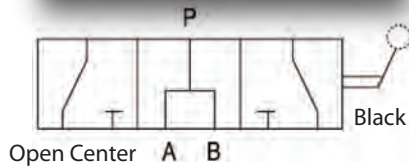
3-WAY FLOW DIVERTER

DIMENSIONS



Size	A SAE	B	C	D	E	F	G	H	L	M	N	Weight kg
01	6	128	62	77	21	73	24	8,5	169	35	41	0,95
02	8	128	62	77	21	73	24	8,5	169	35	41	0,89
03	10	128	70	96	25	85	32	10,5	180	40	52	1,45
04	12	125	80	100	28	90	32	10,5	180	45	55	1,82
05	16	140	90	115	32,5	96	32	11	207	56	67	2,50
07	24	140	115	145	44	130	43	11	220	80	80	6,20

HYDRAULIC SYMBOL



FEATURES

Size	01	02	03	04	05	07
Max Pressure	350 bar	315 bar	280 bar	250 bar	220 bar	200 bar
Flow	30 lpm	60 lpm	90 lpm	120 lpm	180 lpm	280 lpm

ORDERING CODE

FD3W -- -

	Port Size SAE
01	SAE 6
02	SAE 8
03	SAE 10
04	SAE 12
05	SAE 16
07	SAE 24

Hydraulic symbol	
O	Open Center
C	Closed Center