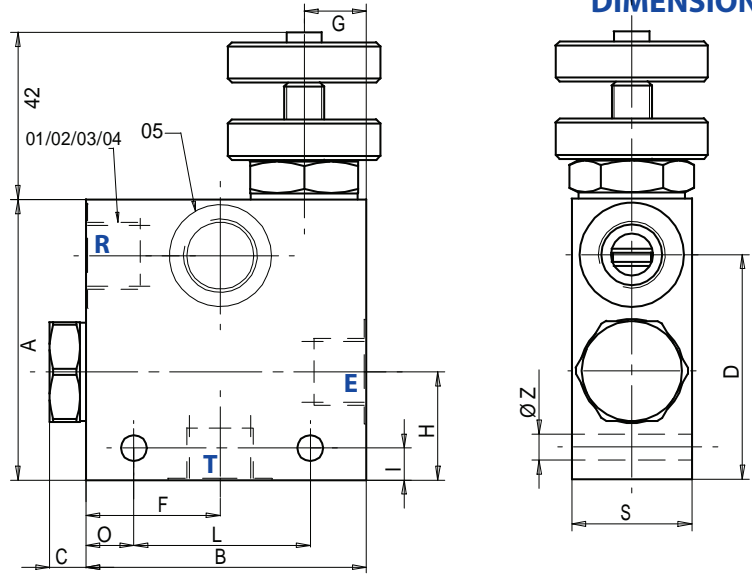


PVET

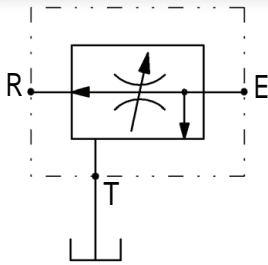
3 WAY PRIORITY VALVE EXCESS TO TANK



DIMENSIONS

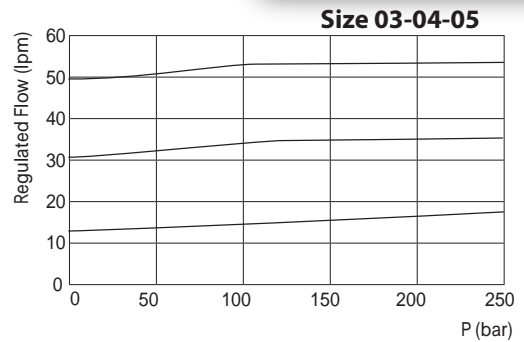
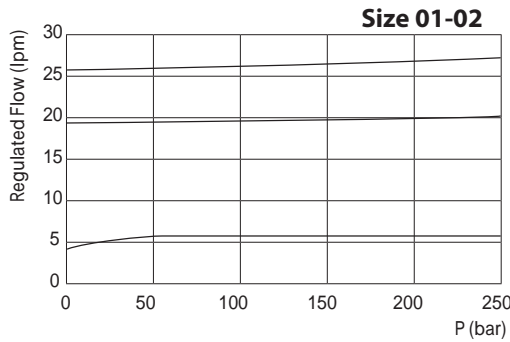


HYDRAULIC SYMBOL



Size	E-R-T	A	B	C	D	F	G	H	I	L	O	S	Z
01	S 6	70	70	9	56	33,5	15,5	27	8	44	12	30	6,5
02	S 8	70	70	9	56	33,5	15,5	27	8	44	12	30	6,5
03	S 10	90	90	24	72	39	20	30	6	64	13	40	6,5
04	S 12	110	110	24	87	44	30	35	7	88	10	50	8,5
05	S 16	110	110	37,5	87	45	28	46	10	88	10	50	8,5

CURVES



FEATURES

Size	01	02	03	04	05
Max Pressure (bar)	210				
Ports E-R	S 6	S 8	S 10	S 12	S 16
QE max (lpm)	40	40	90	150	280
QR max (lpm)	25	25	55	90	190

ORDERING CODE

PVET

--

Port Size SAE

01	SAE 6
02	SAE 8
03	SAE 10
04	SAE 12
05	SAE 16

Materials: Aluminium body, hardened steel inner parts.

Ordering Code Example: PVET 03 = SAE 10.