

BM1 SERIES MOTOR IS A SMALL VOLUME, SPOOL VALVE GEROLOR GEAR SET, ECONOMICAL TYPE MOTOR

CHARACTERISTIC FEATURES

- * COMPACT DESIGN OF SPOOL AND GEAR SET, WHICH PROVIDE SMALL VOLUME, HIGH POWER AND LOW WEIGHT
- * DIRECTION OF SHAFT ROTATION AND SPEED CAN BE CONTROLLED EASILY AND SMOOTHLY
- * BEST COMBINATION OF EFFICIENCY AND ECONOMY IN MEDIUM LOAD APPLICATIONS
- * STANDARD SHAFT SEALS RATED AT 1987 PSI
- * NEW, ON MANY SERIES, HIGH PRESSURE SHAFT SEALS UP TO 2900 PSI, AVAILABLE UPON REQUEST



BM1

MAIN SPECIFICATIONS

DISPLACEMENT IN ³ (CM ³) / REV.		3.0 (50)	4.8 (80)	6.1 (100)	7.6 (125)	9.7 (160)	12.2 (200)	15.2 (250)	19.2 (315)	24.4 (400)
FLOW (GPM)	CONT.	15	15	15	15	15	15	15	15	15
	INT.	20	20	20	20	20	20	20	20	20
SPEED (RPM)	CONT.	716	750	550	450	360	280	220	189	140
	INT.	955	900	673	560	430	350	270	236	180
PRESSURE (PSI)	CONT.	2030	2030	2030	2030	2030	2030	1595	1305	1015
	INT.	2537	2537	2537	2537	2537	2537	2030	2030	1522
	PEAK	3262	3262	3262	3262	3262	3262	2610	2320	2030
TORQUE (LB-IN)	CONT.	734	1140	1423	1812	2166	2519	3182	3589	3845
	INT.	955	1503	1874	2343	3014	3448	4022	4464	4694
	PEAK	1014	1630	1990	2681	3441	3967	4113	4885	4922
POWER (HP)	CONT.	12.67	16.89	16.89	16.89	18.94	14.88	14.88	13.53	11.48
	INT.	16.73	22.31	22.31	22.31	23.68	20.3	18.94	16.91	16.89
LENGTH (IN)	L	0.35	0.57	0.70	0.91	1.14	1.46	1.81	2.24	2.84
	L1	5.63	5.81	5.95	6.14	6.38	6.69	7.07	7.50	8.07
	L2	5.83	6	6.14	6.34	6.58	6.89	7.26	7.70	8.27

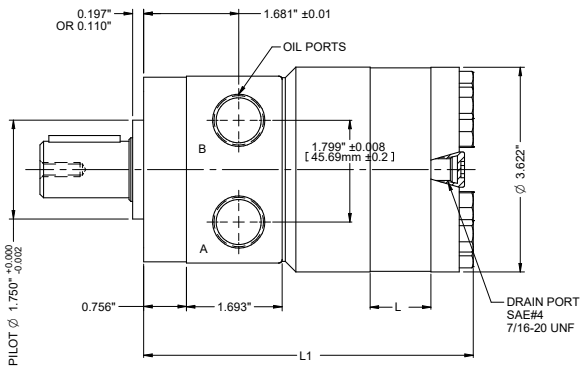
PART NUMBERS

PORT CONFIGURATION	FLANGE	SHAFT	PORT SIZE	50	80	100	125	160	200	250	315	400
				3.0	4.8	6.1	7.6	9.7	12.2	15.2	19.2	24.4
TYPE H SIDE-LOAD BEARING INCLUDED	2 BOLT	1" STRAIGHT	SAE-10	316-0400H	316-0402H	316-0403H	316-0409H	316-0404H	316-0405H	316-0406H	316-0408H	316-0407H
			1/2 NPT	316-0390H	316-0392H	316-0393H	316-0399H	316-0394H	316-0395H	316-0396H	316-0398H	316-0397H
		1"-6T SPLINED	SAE-10	316-0800H	316-0802H	316-0803H	316-0809H	316-0804H	316-0805H	316-0806H	316-0808H	316-0807H
			1/2 NPT	316-0820H	316-0822H	316-0823H	316-0829H	316-0824H	316-0825H	316-0826H	316-0828H	316-0827H
	4 BOLT	1" STRAIGHT	SAE-10	316-0500H	316-0502H	316-0503H	316-0509H	316-0504H	316-0505H	316-0506H	316-0508H	316-0507H
			1/2 NPT	316-0420H	316-0422H	316-0423H	316-0429H	316-0424H	316-0425H	316-0426H	316-0428H	316-0427H
		1"-6T SPLINED	SAE-10	316-0900H	316-0902H	316-0903H	316-0909H	316-0904H	316-0905H	316-0906H	316-0908H	316-0907H
			1/2 NPT	316-0920H	316-0922H	316-0923H	316-0929H	316-0924H	316-0925H	316-0926H	316-0928H	316-0927H
TYPE S	2 BOLT	1" STRAIGHT	SAE-10	313-0400	313-0402	313-0403	313-0409	313-0404	313-0405	313-0406	313-0408	313-0407
			1/2 NPT	313-0390	313-0392	313-0393	313-0399	313-0394	313-0395	313-0396	313-0398	313-0397
		1"-6T SPLINED	SAE-10	313-0800	313-0802	313-0803	313-0809	313-0804	313-0805	313-0806	313-0808	313-0807
			1/2 NPT	313-1270	313-1272	313-1273	313-1279	313-1274	313-1275	313-1276	313-1278	313-1277
	4 BOLT	1" STRAIGHT	SAE-10	313-0500	313-0502	313-0503	313-0509	313-0504	313-0505	313-0506	313-0508	313-0507
			1/2 NPT	313-0420	313-0422	313-0423	313-0429	313-0424	313-0425	313-0426	313-0428	313-0427
		1"-6T SPLINED	SAE-10	313-0900	313-0902	313-0903	313-0909	313-0904	313-0905	313-0906	313-0908	313-0907
			1/2 NPT	313-0920	313-0922	313-0923	313-0929	313-0924	313-0925	313-0926	313-0928	313-0927

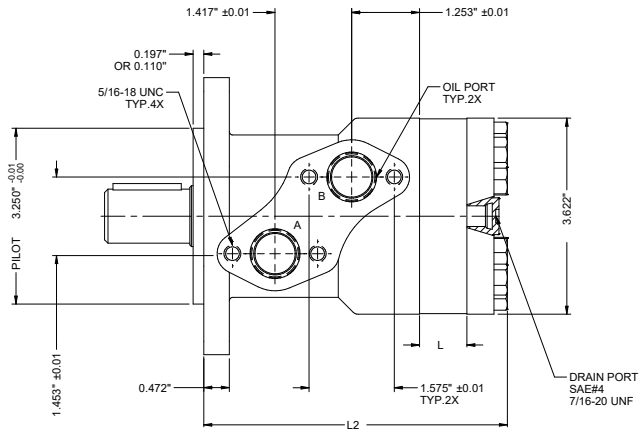
ALSO AVAILABLE: OTHER SHAFT DIMENSIONS, OTHER MOUNTING FLANGES.

PORTS CONFIGURATION

H TYPE

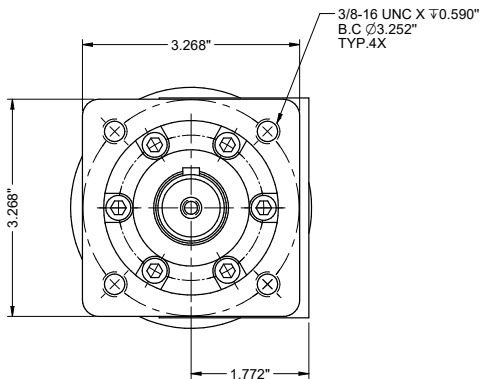


S TYPE



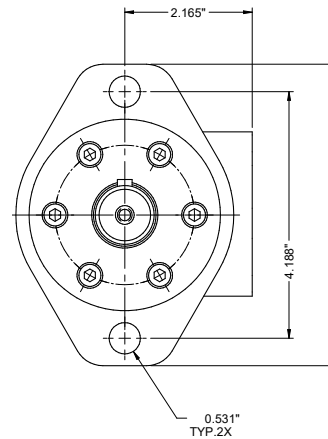
MOUNTING FLANGES

4 BOLT MOUNTING



SQUARE FLANGE
4X 3/8-16 UNC BOLT ON $\phi 3.25''$

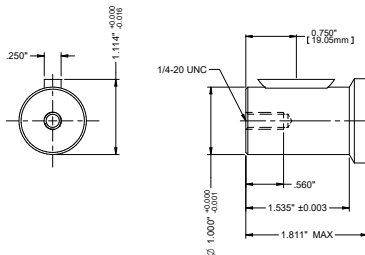
2 BOLT MOUNTING



2 BOLTS FLANGE, $\phi 0.531'' \times 2$
BOLT CENTER SPACE $4.188''$
PILOT $\phi 3.250'' \times 0.197''$

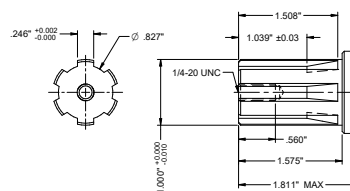
SHAFT TYPE

1" STRAIGHT KEY



CYLINDER SHAFT : $1'' \times 1.535''$
WOODRUFF KEY : $1'' \times 0.250''$
LINK THREAD : 1/4-20 UNC

1"-6T SPLINED



SPLINE SHAFT : $0.996'' \times 1.535''$
 $0.996'' \times 0.846'' \times 0.246'' \times 6$
TEETH LINK THREAD : 1/4-20 UN C