



Magnetic Tank Cleaners

Multi Magnet Standard or Heavy Duty

LENZ magnetic tank cleaners pick up material that ordinary filters miss and thus maintain cleaner oil. The cleaner the oil, the less problems and expense incurred.

Exceptionally efficient, each unit is composed of a large ceramic magnet and two circular pole pieces.

Multi-magnet tank cleaners come in two models: standard and heavy-duty. Heavy-duty is recommended when support rods are long, power units are large or shipping abuse is anticipated. Although the magnetic unit is the same, heavy-duty is manufactured with a 5/8"-18 x 1" long thread solid steel support rod while the standard tank cleaner contains a 1/8" x 1" NPT long thread pipe size support rod.

To clean, simply use ordinary air hose using compressed air.

Order pipe plugs separately. Pipe plugs are optional and are furnished in 2 1/2" size. The minimum opening that will accommodate the unit is 2" pipe size or a hole approximately 2 1/4" in diameter. If desired, it can be installed in the cover of any opening larger than this.

Optional: Plug Part No. 40P (For 1/8" NPT)
HD40P (For 5/8"-18 Rod)

Note** Special Rod Lengths Available

Demonstration of the Tank Cleaner's Magnetic Power



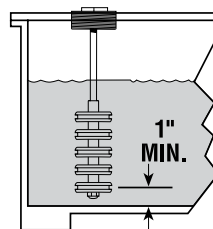
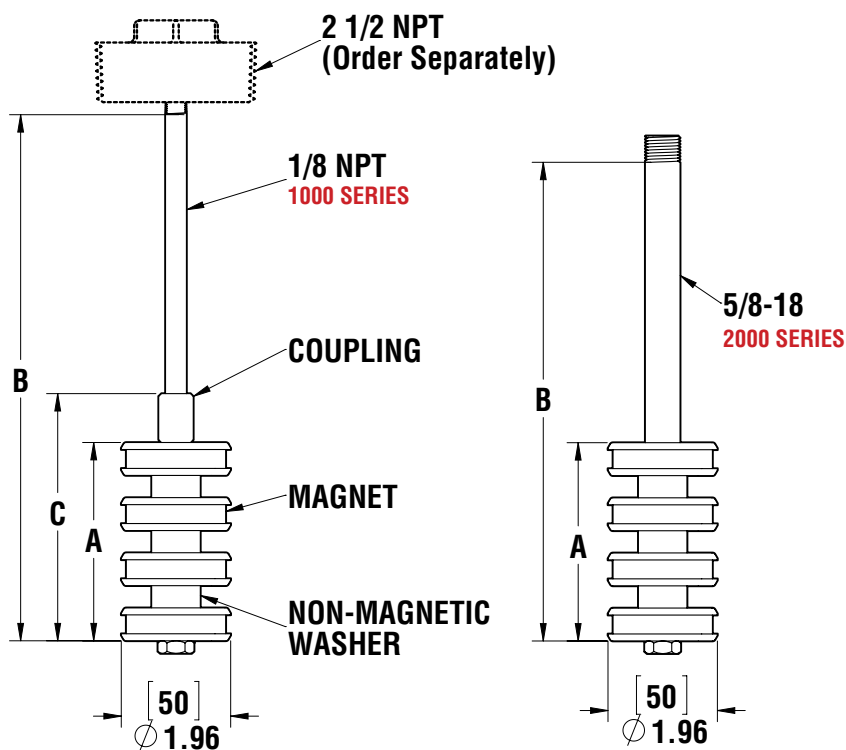
Standard Multi-Magnet 1000 Series

MODEL NO.		C	B	RESERVOIR CAPACITY
1001	IN	1.6"	6.6"	0-10
	MM	41	168	
1002	IN	2.7"	7.7"	10-30
	MM	69	196	
1003	IN	3.8"	8.8"	30-60
	MM	97	224	
1004	IN	4.8"	9.8"	60-100
	MM	122	249	
1005	IN	5.9"	10.9"	100-150
	MM	150	277	
1006	IN	7"	12"	150-210
	MM	178	305	
1007	IN	8"	13"	210-280
	MM	203	330	
1008	IN	9.1"	14.1"	280-350
	MM	231	358	

Heavy Duty Multi-Magnet 2000 Series

MODEL NO.		A	B	RESERVOIR CAPACITY
2001	IN	0.8"	5.8"	0-10
	MM	20	147	
2002	IN	2"	7"	10-30
	MM	51	178	
2003	IN	3"	8"	30-60
	MM	76	203	
2004	IN	4.1"	9.1"	60-100
	MM	104	231	
2005	IN	5.3"	10.3"	100-150
	MM	135	262	
2006	IN	6.2"	11.2"	150-210
	MM	157	284	
2007	IN	7.3"	12.3"	210-280
	MM	185	312	
2008	IN	8.3"	13.3"	280-350
	MM	211	338	

Steel Support Rods are 12L14
Stainless Support Rods are 303CD



MULTI-MAGNET

TYPICAL INSTALLATION



WF Weld Flange
See page 48a