

**BME SERIES** MOTOR HAS ADVANCED GEROLER GEAR SET DESIGN, THEY ARE SUITED FOR HIGH PRESSURE HIGH EFFICIENCY, LOW SPEED APPLICATIONS. IT CAN KEEP HIGH VOLUME EFFICIENCY, LONG WORKING LIFE.

**CHARACTERISTIC FEATURES**

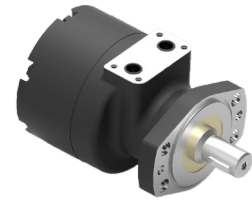
- ADVANCED GEROLER GEAR SET DESIGN, LOW PRESSURE OF START-UP, HIGH EFFICIENCY
- HIGH PRESSURE APPLICATIONS, HIGH TORQUE. HAS NEEDLE BEARINGS DESIGN, IT CAN BEAR HIGH AXIAL AND RADIAL FORCES
- ADVANCE HIGH SPEED DISTRIBUTION FLOW DESIGN, AUTOMATICALLY COMPENSATE IN OPERATING, HIGH VOLUME EFFICIENCY, RUN SMOOTHLY AT LOW SPEED
- STANDARD SHAFT SEALS RATED AT 1987 PSI
- NEW, ON MANY SERIES, HIGH PRESSURE SHAFT SEALS UP TO 2900 PSI

BMEW WHEEL MOUNT



391-301X-F

BME 6 HOLES MAGNETO



391-001XF

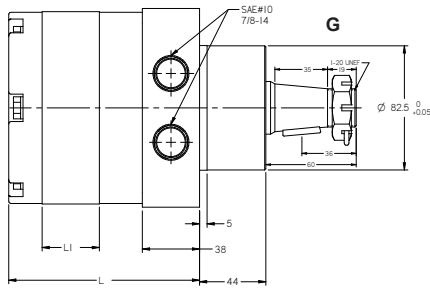
**MAIN SPECIFICATIONS**

DISPLACEMENT IN <sup>3</sup> (CM <sup>3</sup> ) / REV.		7.75 (125)	9.94 (160)	12.20 (200)	13.73 (230)	15.80 (250)	18.00 (300)	21.30 (350)	22.70 (375)	28.86 (475)	32.95 (540)	45.46 (750)
FLOW (GPM)	CONT.	11.89	15.85	18.49	18.49	19.81	21.13	21.13	19.81	19.81	19.81	19.81
	INT.	15.85	19.81	22.45	22.45	23.78	25.10	25.10	23.78	23.78	23.78	23.78
SPEED (RPM)	CONT.	336	350	330	290	290	250	215	200	150	140	100
	INT.	450	440	425	365	350	315	365	240	180	170	120
PRESSURE (PSI)	CONT.	2973	2973	2973	2973	2973	2973	2973	2973	2538	2030.5	1523
	INT.	3480	3480	3480	3480	3480	3480	3480	3480	2756	2538	1740
TORQUE (LB-IN)	CONT.	3088.91	4159.85	4708.60	5531.72	6195.53	7169.11	8009.93	8762.24	9824.33	8673.74	9293.29
	INT.	3611.11	4850.21	5328.15	6284.03	6992.09	8231.20	9160.53	10089.86	10691.71	10974.93	10443.89
POWER (HP)	CONT.	16.47	23.10	24.65	25.45	28.51	28.44	27.33	27.81	23.38	19.27	14.75
	INT.	25.78	33.86	35.93	36.39	38.83	41.14	53.05	38.42	30.54	29.60	19.89
LENGTH (MM)	L	154	158	161	163	166	170	174	176	185	191	209

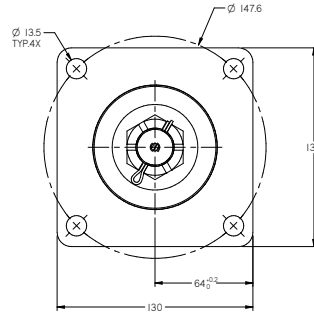
- NOTE:**
1. CONTINUOUS DATA: THE MAX. VALUE OF OPERATING MOTOR CONTINUOUSLY.
  2. INTERMITTENT DATA: THE MAX. VALUE OF OPERATING MOTOR IN 6 SECONDS PER MINUTE.
  3. A SIMULTANEOUS MAX. RPM AND MAX. PRESSURE IS NOT RECOMMENDED.
  4. OPTIMUM OPERATING SITUATION SHOULD BE AT THE 1/3-2/3 OF THE CONTINUOUS OPERATING SITUATION.

DIMENSIONS

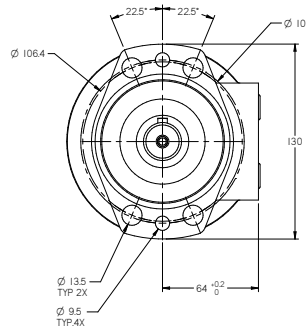
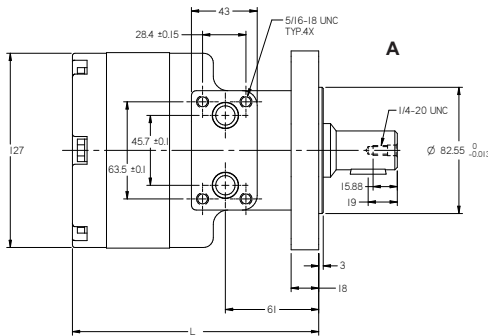
BMEW WHEEL MOUNT



MOUNTING FLANGES



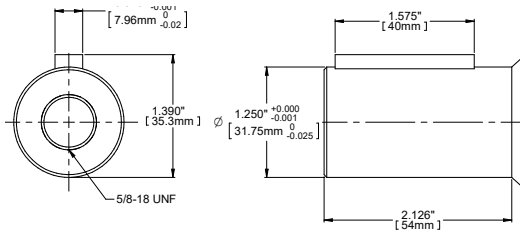
BME 6 HOLES MAGNETO



SHAFT TYPE

A

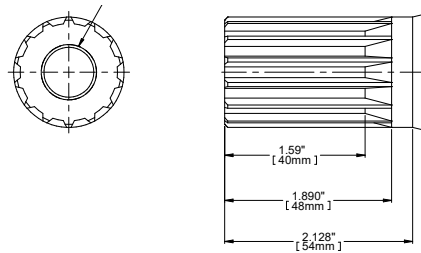
1 1/4" STRAIGHT KEY



CYLINDER SHAFT:  $\varnothing 31.75\text{mm} \times 54\text{mm}$   
 PARALLEL KEY: 7.96mm X 7.96mm X 40mm  
 LINK THREAD: 5/8-18 UNF

B

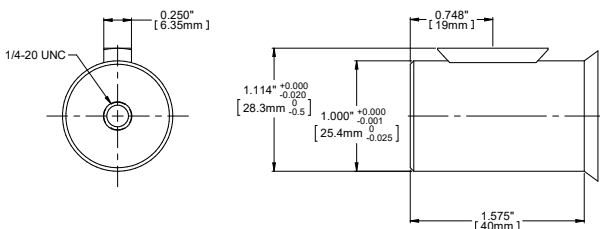
1 1/4"-14T SPLINED



INVOLUTE SPLINE SHAFT:  $\varnothing 31.75\text{mm} \times 54\text{mm}$   
 14 TEETH, DP13/24  
 LINK THREAD: 5/8-18 UNF

E

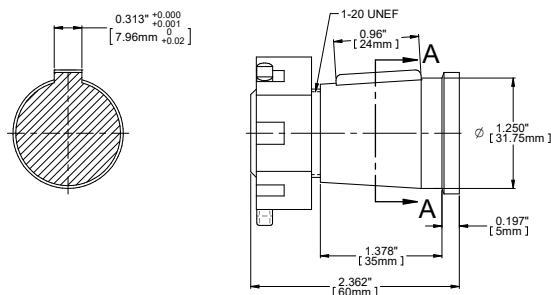
1" STRAIGHT KEY



CYLINDER SHAFT:  $\varnothing 25.4\text{mm} \times 39\text{mm}$   
 WOODRUFF KEY:  $\varnothing 25.4\text{mm} \times 6.35\text{mm}$   
 LINK THREAD: 1/4-20 UNC

G

1 1/4" TAPERED



CONE SHAFT:  $\varnothing 31.75\text{mm}$   
 PARALLEL KEY: 7.96mm X 7.96mm X 24mm  
 LINK THREAD: 1-20 UNEF  
 TAPER: 1:8