

BM5 IS A LARGE VOLUME, DISC VALVE, HIGH PRESSURE MOTOR WITH RADIAL BEARINGS DESIGN AND CAN BEAR GREATER LOAD.

- HIGH PRESSURE SHAFT SEAL UP TO 2900 PSI AVAILABLE



BM5

MAIN SPECIFICATIONS

DISPLACEMENT IN <sup>3</sup> (CM <sup>3</sup> ) / REV.		4.8 (80)	6.1 (100)	7.6 (125)	9.7 (160)	12.2 (200)	15.2 (250)	18.59 (305)	24.4 (400)	30.4 (500)
FLOW (GPM)	CONT.	20	20	20	20	20	20	20	20	20
	INT.	22	25	25	30	30	30	30	30	30
SPEED (RPM)	CONT.	799	742	576	460	365	294	246	183	148
	INT.	908	924	720	713	577	462	365	287	230
PRESSURE (PSI)	CONT.	2980	3045	3045	3045	3045	2900	2900	2320	1740
	INT.	4350	4350	4350	3770	3770	3770	3480	2465	2030
	PEAK	4350	4350	4350	4350	4350	4350	4350	2900	2465
TORQUE (LB-IN)	CONT.	2033	2564	3182	4058	4791	5658	5967	7337	7470
	INT.	2555	3359	4243	4685	5622	6895	6851	8044	8398
	PEAK	2917	3713	4774	4818	5834	7205	8212	8840	9061
POWER (HP)	CONT.	27.76	28.76	28.76	16.91	16.91	16.91	11.84	11.84	11.84
	INT.	50.75	50.75	50.75	33.95	35.95	35.53	29.6	29.95	25.37
LENGTH (IN)	L	0.59	0.73	0.90	1.14	1.41	1.77	2.20	2.83	3.56
	L3	7.08	7.22	7.40	7.64	7.91	8.27	8.70	9.33	10.25

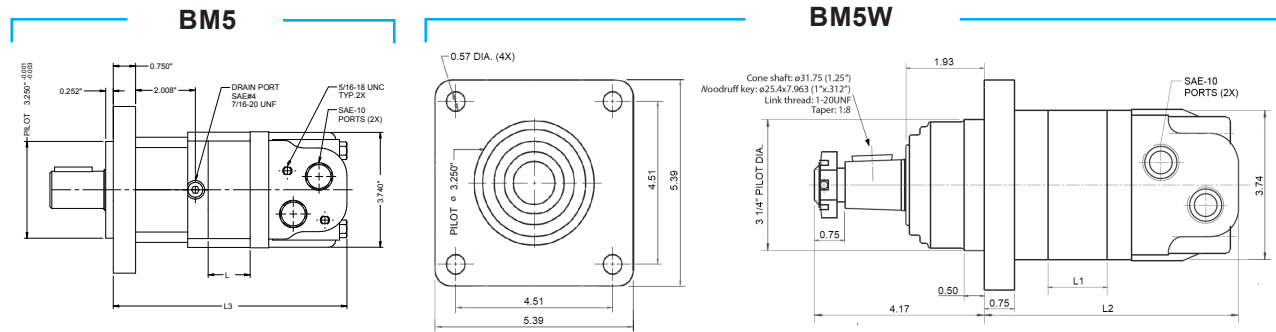
- NOTES**
1. CONTINUOUS DATA: THE MAX. VALUE OF OPERATING MOTOR CONTINUOUSLY.
  2. INTERMITTENT DATA: THE MAX. VALUE OF OPERATING MOTOR IS 10 % PER MINUTE.
  3. A SIMULTANEOUS MAX. RPM AND MAX. PRESSURE IS NOT RECOMMENDED.
  4. OPTIMUM OPERATING SITUATION SHOULD BE AT THE 1/3~2/3 OF THE CONTINUOUS OPERATION.

PART NUMBERS

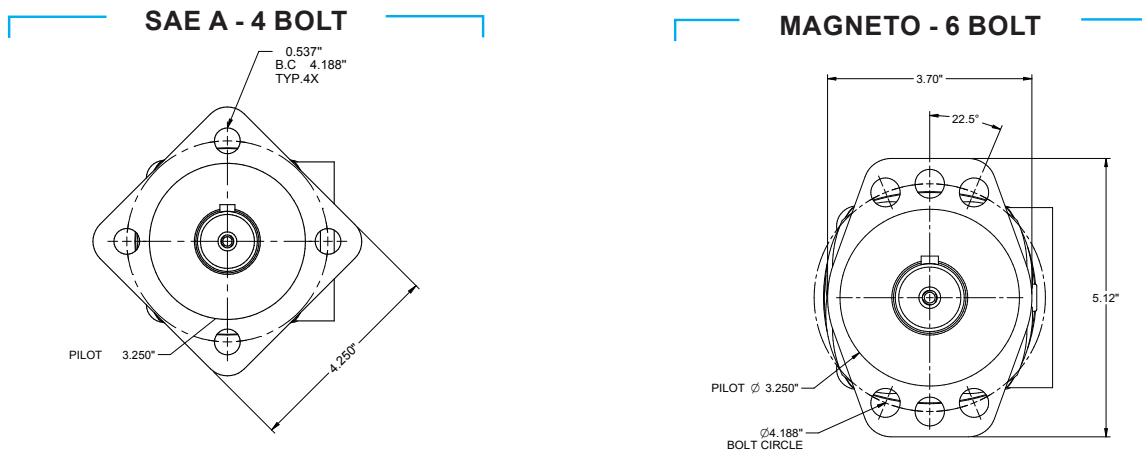
FLANGE	SHAFT	80	100	125	160	200	250	315	400	500
		4,8	6,1	7,6	9,7	12,2	15,2	19,2	24,4	30,4
SAE A 4 BOLT	1 1/4" STRAIGHT	351-0571	351-0572	351-0573	351-0574	351-0575	351-0576	351-0577	351-0578	351-0570
	1 1/4" SPLINED	351-2031	351-2032	351-2033	351-2034	351-2035	351-2036	351-2037	351-2038	351-2030
	1" STRAIGHT	351-0581	351-0582	351-0583	351-0584	351-0585	351-0586	351-0587	351-0588	351-0580
	1" SPLINED	351-1301G	351-1302G	351-1303G	351-1304G	351-1305G	351-1306G	351-1307G	351-1308G	351-1300G
MAGNETO MOUNT	1 1/4" STRAIGHT	351-0211	351-0212	351-0213	351-0214	351-0215	351-0216	351-0217	351-0218	351-0210
	1 1/4" SPLINED	351-2111	351-2112	351-2113	351-2114	351-2115	351-2116	351-2117	351-2118	351-2110
	1" STRAIGHT	351-0651	351-0652	351-0653	351-0654	351-0655	351-0656	351-0657	351-0658	351-0650
	1" SPLINED	351-1121	351-1122	351-1123	351-1124	351-1125	351-1126	351-1127	351-1128	351-1120
WHEEL MOTOR	1 1/4" TAPERED	351-3141	351-3142	351-3143	351-3144	351-3145	351-3146	351-3147	351-3148	351-3140

- ALSO AVAILABLE:**
- OTHER SHAFT DIMENSIONS
  - OTHER MOUNTING FLANGES

DIMENSIONS



MOUNTING FLANGES



SHAFT TYPE

