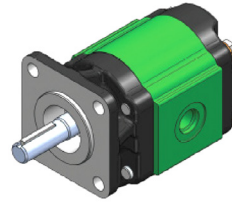


1.5PE SERIE

- CLOCKWISE ROTATION
- 1/2 STRAIGHT KEY SHAFT
- INLET: SAE-08 OUTLET: SAE-06

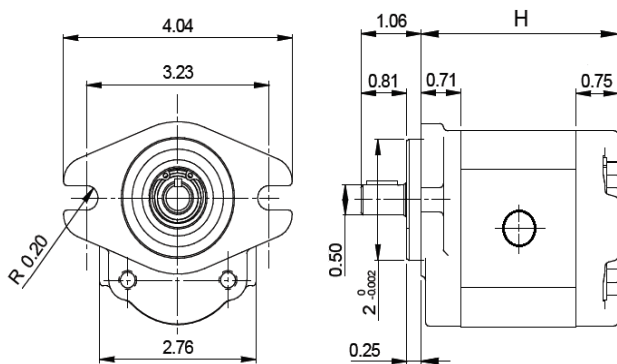
ALSO AVAILABLE

- COUNTERCLOCKWISE ROTATION
- OTHER SHAFTS & FLANGES
- TANDEM PUMPS & MULTIPLE PUMPS

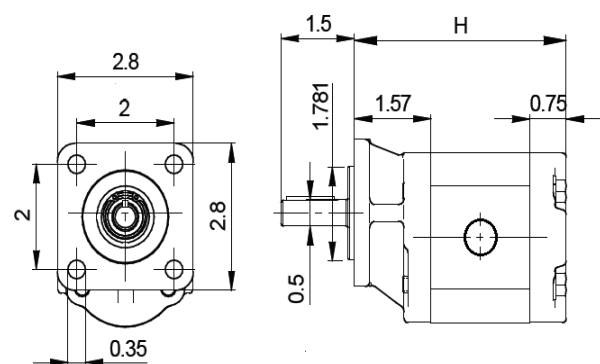


1.5PE TANDEM PUMP

DISPLACEMENT IN <sup>3</sup> (CM <sup>3</sup> ) / REV.	DIMENSION H (IN)	GPM @ 1800 RPM	MAX RPM	MAX PSI	MOUNTING	PART NUMBER
0.091 (1.4)	3.26	0.71	5000	3625	SAE AA - 2 BOLT	6109 1030 2
					SAE AA - 4 BOLT	6109 1050 2
0.128 (2.1)	3.34	1.00	5000	3625	SAE AA - 2 BOLT	6109 1031 2
					SAE AA - 4 BOLT	6109 1051 2
0.158 (2.8)	3.42	1.23	4500	3625	SAE AA - 2 BOLT	6109 1032 2
					SAE AA - 4 BOLT	6109 1052 2
0.219 (3.5)	3.49	1.71	4500	3625	SAE AA - 2 BOLT	6109 1033 2
					SAE AA - 4 BOLT	6109 1053 2
0.256 (4.1)	3.56	1.99	4000	3625	SAE AA - 2 BOLT	6109 1034 2
					SAE AA - 4 BOLT	6109 1054 2
0.299 (5.2)	3.68	2.33	4000	3335	SAE AA - 2 BOLT	6109 1035 2
					SAE AA - 4 BOLT	6109 1055 2
0.354 (6.2)	3.79	2.76	3600	3140	SAE AA - 2 BOLT	6109 1036 2
					SAE AA - 4 BOLT	6109 1056 2
0.457 (7.6)	3.95	3.56	3300	2900	SAE AA - 2 BOLT	6109 1037 2
					SAE AA - 4 BOLT	6109 1057 2
0.57 (9.3)	4.14	4.44	3000	2610	SAE AA - 2 BOLT	6109 1038 2
					SAE AA - 4 BOLT	6109 1058 2
0.67 (11)	4.33	5.22	3000	2465	SAE AA - 2 BOLT	6109 1039 2
					SAE AA - 4 BOLT	6109 1059 2



SAE AA - 2 BOLT  
( R80S0 CODE )



SAE AA - 4 BOLT  
( R83S1 CODE )