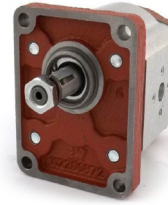


2PE SERIE

- CLOCKWISE ROTATION
- SAE A -2 BOLT MOUNTING
- INLET: SAE 12 OUTLET: SAE 10



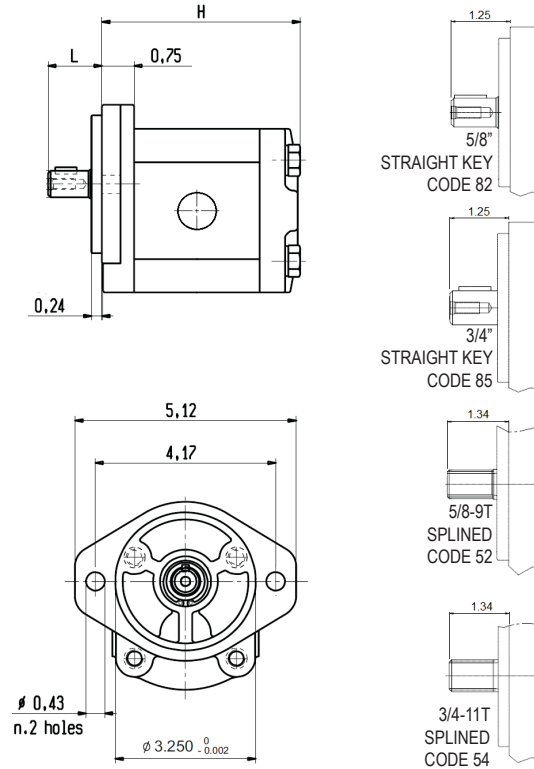
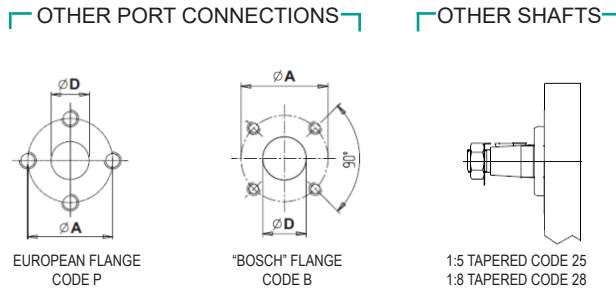
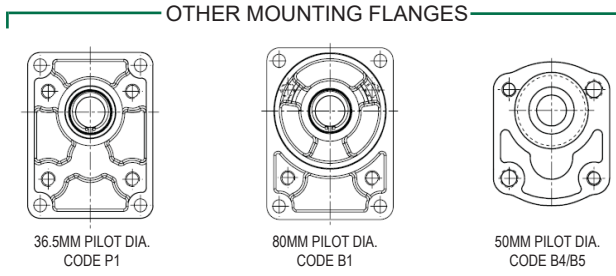
P28P1 SHOWN

DISPLACEMENT IN ³ (CM ³) / REV.	DIMENTION H (IN)	GPM @ 1800 RPM	MAX RPM	MAX PSI	SHAFT	PART NUMBER
0.27 (4.5)	3.50	2.1	4000	3600	5/8" KEY	6120 8164 2
					5/8-9T SPLINE	6120 3372 2
					3/4" KEY	6120 3757 2
					3/4-11T SPLINE	
0.40 (6.5)	3.64	3.12	4000	3600	5/8" KEY	6120 9594 2
					5/8-9T SPLINE	6120 9596 2
					3/4" KEY	6120 9595 2
					3/4-11T SPLINE	
0.50 (8.3)	3.74	3.9	3500	3600	5/8" KEY	6120 81662
					5/8-9T SPLINE	6120 8055 2
					3/4" KEY	6120 3542 2
					3/4-11T SPLINE	6120 3475 2
0.68 (11.3)	4.02	5.3	3500	3600	5/8" KEY	6120 8167 2
					5/8-9T SPLINE	6120 7904 2
					3/4" KEY	6120 3543 2
					3/4-11T SPLINE	6120 3512 2
0.84 (13.8)	4.17	6.55	3500	3600	5/8" KEY	6120 8168 2
					5/8-9T SPLINE	6120 8056 2
					3/4" KEY	6120 3544 2
					3/4-11T SPLINE	6120 3683 2
1.01 (16)	4.32	7.87	3000	3600	5/8" KEY	6120 8169 2
					5/8-9T SPLINE	6120 8309 2
					3/4" KEY	6120 3455 2
					3/4-11T SPLINE	6120 1808 2
1.15 (19)	4.64	8.96	3000	3140	5/8" KEY	6120 8170 2
					5/8-9T SPLINE	6120 7906 2
					3/4" KEY	6120 3456 2
					3/4-11T SPLINE	6120 3514 2
1.37 (22.5)	4.86	10.68	2750	2900	5/8" KEY	6120 8171 2
					5/8-9T SPLINE	6120 7907 2
					3/4" KEY	6120 3276 2
					3/4-11T SPLINE	6120 3532 2
1.58 (26)	5.09	12 31	2500	2600	5/8" KEY	6120 8172 2
					5/8-9T SPLINE	6120 7908 2
					3/4" KEY	6120 3457 2
					3/4-11T SPLINE	6120 8066 2

ALSO AVAILABLE

- COUNTERCLOCKWISE ROTATION
- OTHER SHAFTS & FLANGES
- TANDEM PUMPS & MULTIPLE PUMPS
- REAR COVERS WITH INTEGRATED VALVES
- OUTBOARD BEARING





2PGE SERIE CAST IRON

- CLOCKWISE ROTATION
- SAE A -2 BOLT MOUNTING
- 3/4" STRAIGHT KEY SHAFT

PART NUMBER	DISPLACEMENT IN ³ (CM ³) / REV.	DIMENSION H (IN)	GPM @ 1800 RPM	MAX RPM	MAX PSI	PORTS	
						INLET	OUTLET
614670872	1.01 (16)	4.31	7.87	3000	4350	SAE 12	SAE 10
614670882	1.18 (19)	4.63	8.96				
614670892	1.37 (22.5)	4.85	10.68	2750	4060	SAE 16	
614670902	1.58 (26)	5.08	12.31			2500	

- ALSO AVAILABLE**
- COUNTERCLOCKWISE ROTATION
 - OTHER SHAFTS & FLANGES
 - REAR COVERS WITH INTEGRATED VALVES

