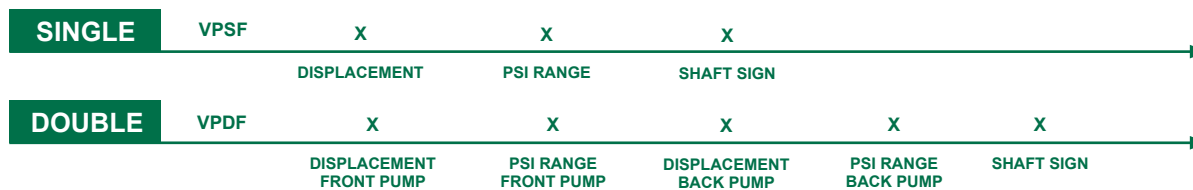


VP SINGLE OR DOUBLE VARIABLE DISPLACEMENT VANE PUMPS

- FULLY ADJUSTABLE FLOW AND PRESSURE COMPENSATOR. HIGH EFFICIENCY, LOW TEMPERATURE AND ENERGY-SAVING DESIGN
- VERY LOW NOISE, QUICK RESPONSE AND STEADY OPERATION
- ADJUSTMENT SCREWS FOR BOTH PRESSURE SETTING AND MAXIMUM FLOW SETTINGS

SPEED : MINIMUM : 800 RPM, MAXIMUM : 1800 RPM
 DRAIN MUST BE INSTALLED UNDER OIL LEVEL AND BELOW 7 PSI
 PIPE LENGTH SHOULD BE SHORTER THAN 3 FT
 INDEPENDENT RETURN LINE TO TANK REQUIRED

MODEL CODE



DISPLACEMENT

CODE	L/MIN (GPM) @1800 RPM
12	12 (3)
15	15 (4)
20	20 (5.3)
30	30 (8)
40	40 (10.5)

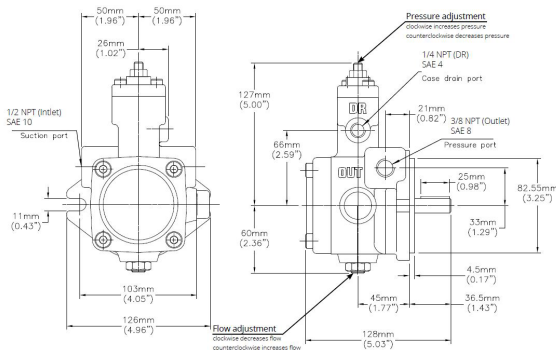
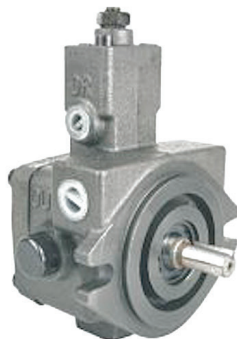
PSI RANGE

CODE	PSI RANGE
A	140-280
B	215-500
C	425-780
D	710-1000

SHAFT SIGN

CODE	SHAFT SIGN
NO MARK	PARALLEL KEY SHAFT
S	SPLINE SHAFT

SINGLE



DOUBLE

