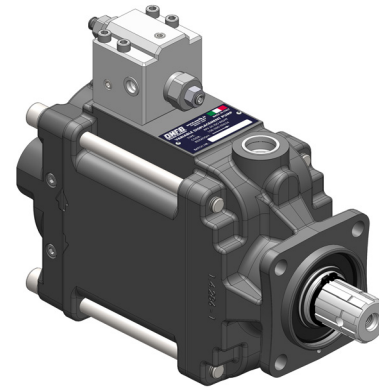


PPV VARIABLE DISPLACEMENT PUMPS

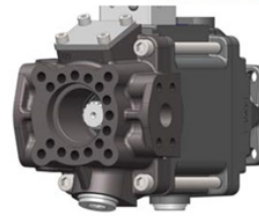
- SPECIFICALLY DESIGNED FOR THE NEEDS OF THE TRUCK MARKET
- WELL ADAPTED FOR APPLICATIONS IN : CRANES, REFUSE VEHICLES, SALT SPREADERS, SNOW EQUIPEMENT, CONSTRUCTION EQUIPEMENT AND TIPPER TRUCKS
- EXTREMELY COMPACT IN SIZE TO ALLOW DIRECT MOUNTING ON VEHICLE ENGINE OR PTO'S



DISPLACEMENT IN <sup>3</sup> (CM <sup>3</sup> ) / REV.	GPM @ 1800 RPM	MAX	
		PSI	RPM
3.66 (60)	28.5	5435	2500
4.58 (75)	35.7		2400
5.59 (90)	43.6		2300
6.71 (110)	52.3		2200
7.90 (130)	61.8		2100



TANDEM SX



TANDEM DX

BENT AXIS FIXED DISPLACEMENT PUMPS

- BENT AXIS PISTON PUMP FOR TRUCKS
- 4 BOLT SAE B & SAE C MOUNTING
- FROM 0.73 IN (12 CC) TO 7.93 IN (130 CC)
- PRESSURES UP TO 6000 PSI

THE FAMOUS RANGE OF OUR BENT AXIS PISTON PUMPS "HDS", WELL-KNOWN FOR ITS RELIABILITY AND HIGH EFFICIENCY, IS NOW INCLUDING THE NEW 130CC DISPLACEMENT.

THE ORDER CODES ARE THE FOLLOWING:

- ISO VERSION: **601-001-11303** RIGHT ROTATION  
**601-001-11309** LEFT ROTATION
- ISO/SAE VERSION: **601-001-51303** RIGHT ROTATION  
**601-001-51309** LEFT ROTATION

