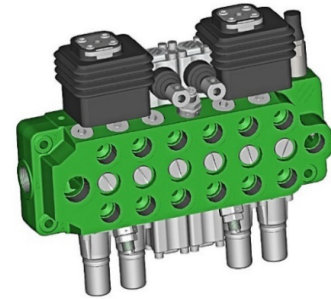


VDM6A MANUAL VALVES

- LOADCHECK ON EVERY SECTION
- POSSIBILITY FOR PORT RELIEFS
- DOUBLE ACTING SPOOL, SPRING RETURN WITH LEVERS
- OPEN/CLOSED CENTER. POWER BEYOND OPTION
- HANDLES INCLUDED
- RELIEF SET TO 2550 PSI



PART NUMBER	NB OF SPOOL	GPM MAX	PSI MAX	PORTS
625033600	2	12	5400 ⁵	P, A & B: SAE-08 T: SAE-10
625033700	3			
625033800	4			
625034100	5			
625034200	6			
625034300	7			

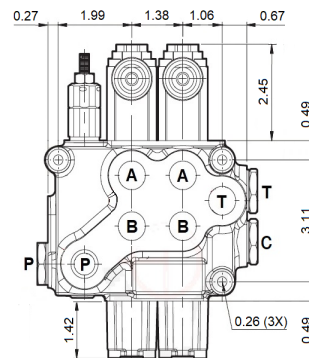
MB4 MANUAL VALVES

- BLACK PAINTED
- DOUBLE ACTING SPOOL, SPRING RETURN WITH LEVERS
- OPEN/CLOSED CENTER. POWER BEYOND OPTION
- HANDLES INCLUDED
- RELIEF SET TO 2550 PSI

PART NUMBER	NB OF SPOOL	GPM MAX	PSI MAX	PORTS
MB4/1S-3/18L/E8-M3	1	16	4600	SAE-08
MB4/2S-3/18L/E8-M3	2			
MB4/3S-3/18L/E8-M3	3			
MB4/4S-3/18L/E8-M3	4			
MB4/5S-3/18L/E8-M3	5			
MB4/6S-3/18L/E8-M3	6			

LOTS OF OPTIONS AVAILABLE

FITS "HCD10"
HYDROCONTROL FOOTPRINT



MB5 MANUAL VALVES

- BLACK PAINTED
- DOUBLE ACTING SPOOL, SPRING RETURN WITH LEVERS
- OPEN/CLOSED CENTER. POWER BEYOND OPTION
- HANDLES INCLUDED
- RELIEF SET TO 2550 PSI

PART NUMBER	NB OF SPOOL	GPM MAX	PSI MAX	PORTS
MB5/1S-3/18L/E8-M3	1	21	4600	P&T:SAE-12 A&B:SAE-10
MB5/2S-3/18L/E8-M3	2			
MB5/3S-3/18L/E8-M3	3			
MB5/4S-3/18L/E8-M3	4			
MB5/5S-3/18L/E8-M3	5			
MB5/6S-3/18L/E8-M3	6			

LOTS OF OPTIONS AVAILABLE

FITS "SD11"
WALVOIL FOOTPRINT

