



26/36 SADDLEMOUNT AND INSIDE CHASSIS INSTALLATION



Aluminium



Painted Steel
RAL 7021

This oil tank is equipped with sight temperature gauge

Mounting kit: available for saddlemount and inside chassis installation. Steel version includes welded mounting kit.

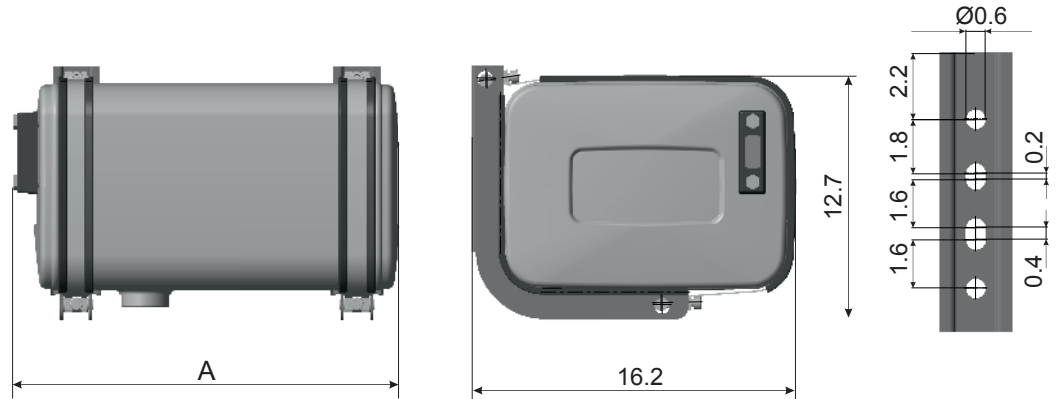
26/36 (sidewalls 10,2" h x 14,2" w)

Products range	Filter Flange	Level Indicator L = Sight temperature gauge	Returns	Valve Plate	Mounting kit	Suction Connection	GAL*	Dimensions [in] L x H x W	Material	Product code NSOA = Aluminium NSOF = Steel
Multi Function (MF)	● 135	● L	●	●	● Saddlemount / inside chassis	1" 1/4 NPT	11	18,3x10,2x14,2	A	- 0040046US00
							13	22,3x10,2x14,2	A	- 0050056US00
Multi Function (MF)	● 135	● L	●	●	● Welded mounting kit included	1" 1/4 NPT	8	14,4x10,2x14,2	F	- 0030036US00
							11	18,3x10,2x14,2	F	- 0040046US00
							13	22,3x10,2x14,2	F	- 0050056US00

* Full tank capacity ● included ○ predisposed (not incl) ● not included in the standard tanks

ALUMINIUM Mounting specifics - SADDLEMOUNT AND INSIDE CHASSIS INSTALLATION WITH SUPPORTS AND STRAPS

A (IN)	Level indicator capacity (U.S. GAL)
19.3	7.8 - 6.2
23.3	9.5 - 7.7



STEEL Mounting specifics - SADDLEMOUNT AND INSIDE CHASSIS INSTALLATION WITH WELDED MOUNTING KIT

A (IN)	Level indicator capacity (U.S. GAL)
15.4	6.0 - 4.8
19.3	7.8 - 6.2
23.3	9.5 - 7.7

