

Product images are for illustrative purposes only and may differ according to the actual product accessories and mounting kit version

## 50/64 SADDLEMOUNT INSTALLATION



This oil tank is equipped with sight temperature gauge  
**Mounting kit:** available for saddlemount and upright installation.

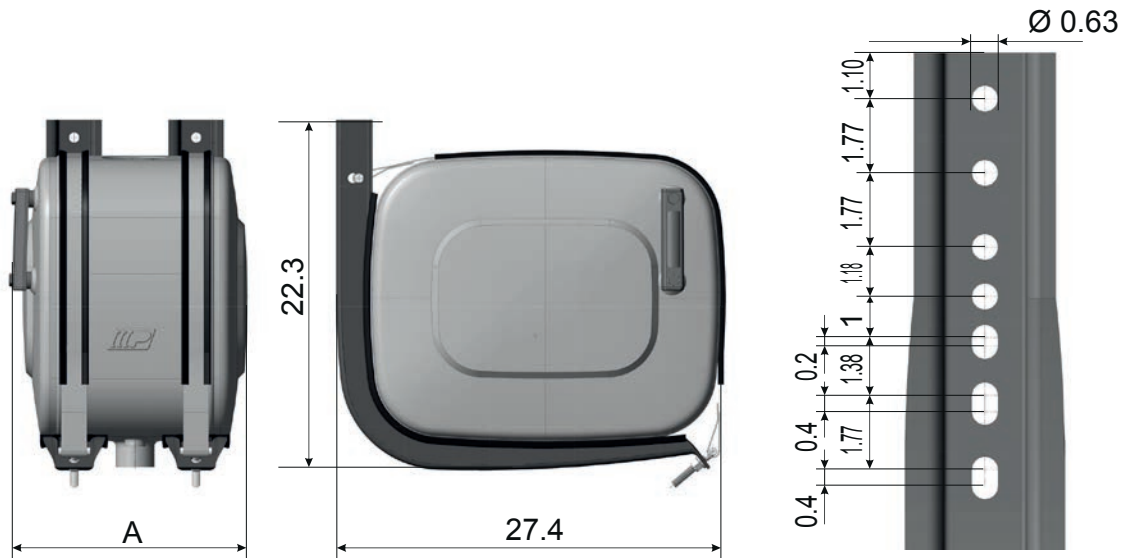
### 50/64 (sidewalls 20" h x 25,1" w)

Products range	Filter Flange	Level Indicator L = Sight temperature gauge	Returns	Valve Plate	Mounting kit	Suction Connection	GAL*	Dimensions [in] L x H x W	Material	Product Code NSOF = Steel NSOA = Aluminium NSOI = Stainless steel
Multi Function (MF)	● 135	● L	● 1" 1/4 NPT	●	● Saddlemount/Upright	1" 1/2 NPT	28	15,7x20x25,1	A/F/I	- 0100040US00
							32	17,7x20x25,1	A/F/I	- 0120045US00
							40	21,6x20x25,1	A/F/I	- 0150055US00

\* Full tank capacity ● included ○ predisposed (not incl) ● not included in the standard tanks

### Mounting specifics - SADDLEMOUNT INSTALLATION

A (IN)	Level indicator capacity (U.S. GAL)
16.6	24 - 18.5
18.6	27.5 - 21.5
22.5	34 - 26.5



## 50/64 UPRIGHT INSTALLATION



This oil tank is equipped with sight temperature gauge  
**Mounting kit:** available for saddlemount and upright installation.

### 50/64 (sidewalls 20" h x 25,1" w)

Products range	Filter Flange	Level Indicator L = Sight temperature gauge	Returns	Valve Plate	Mounting kit	Suction Connection	GAL*	Dimensions [in] L x H x W	Material	Product Code NSOF = Steel NSOA = Aluminium NSOI = Stainless steel
Multi Function (MF)	● 135	● L	● 1" 1/4 NPT	●	● Saddlemount/ Upright	1" 1/2 NPT	28	15,7x20x25,1	A/F/I	- 0100040US00
							32	17,7x20x25,1	A/F/I	- 0120045US00
							40	21,6x20x25,1	A/F/I	- 0150055US00

\* Full tank capacity ● included ○ predisposed (not incl) ● not included in the standard tanks

Product images are for illustrative purposes only and may differ from the actual product appearance and mounting kit content

## Mounting specifics - UPRIGHT INSTALLATION

A (IN)	Level indicator capacity (U.S. GAL)
16.6	24 - 18.5
18.6	27.5 - 21.5
22.5	34 - 26.5

