

Product images are for illustrative purposes only and may differ according to the actual model, accessories and mounting kit version

63/70 SADDLEMOUNT INSTALLATION



This oil tank is equipped with sight temperature gauge
Mounting kit: available for saddlemount and upright installation.

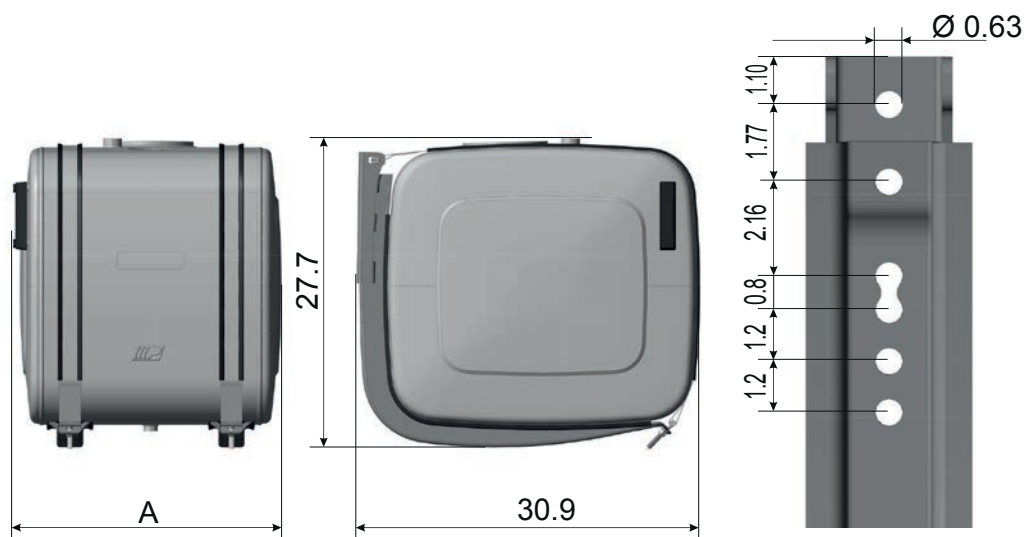
63/70 (sidewalls 25,1" h x 27,9" w)

Products range	Filter Flange	Level Indicator L = Sight temperature gauge	Returns	Valve Plate	Mounting kit	Suction Connection	GAL*	Dimensions [in] L x H x W	Material	Product Code NSOF = Steel NSOA = Aluminium NSOI = Stainless steel
Multi Function (MF)	● 135				● Saddlemount	1" 1/2 NPT	35	13,7x25,1x27,9	A/F	- 0135035US00
		● L	● 1" 1/4 NPT	●	● Saddlemount/ Upright	2" NPT	51	19,7x25,1x27,9	A/F/I	- 0200050US00
	● 195			66			23,6x25,1x27,9	A/I	- 0250060US00	
			● 2"	80			28,9x25,1x27,9	A/I	- 0300073US00	
						106	39,4x25,1x27,9	A/F/I	- 0400100US00	

* Full tank capacity ● included ○ predisposed (not incl) ● not included in the standard tanks

Mounting specifics - SADDLEMOUNT INSTALLATION

A (IN)	Level indicator capacity (U.S. GAL)
14.5	29 - 24
20.5	43 - 35
24.5	53 - 43
29.7	64 - 53
40.2	88 - 73



63/70 UPRIGHT INSTALLATION



This oil tank is equipped with sight temperature gauge
Mounting kit: available for saddlemount and upright installation.

63/70 (sidewalls 25,1" h x 27,9" w)

Products range	Filter Flange	Level Indicator L = Sight temperature gauge	Returns	Valve Plate	Mounting kit	Suction Connection	GAL*	Dimensions [in] L x H x W	Material	Product Code NSOF = Steel NSOA = Aluminium NSOI = Stainless steel
Multi Function (MF)	● 135				● Saddlemount	1" 1/2 NPT	35	13,7x25,1x27,9	A/F	- 0135035US00
		● L	● 1" 1/4 NPT	●	● Saddlemount/ Upright	2" NPT	51	19,7x25,1x27,9	A/F/I	- 0200050US00
	● 195			66			23,6x25,1x27,9	A/I	- 0250060US00	
			● 2"	80			28,9x25,1x27,9	A/I	- 0300073US00	
						106	39,4x25,1x27,9	A/F/I	- 0400100US00	

* Full tank capacity ● included ○ predisposed (not incl) ● not included in the standard tanks

Mounting specifics - UPRIGHT INSTALLATION

A (IN)	Level indicator capacity (U.S. GAL)
14.5	29 - 24
20.5	43 - 35
24.5	53 - 43
29.7	64 - 53
40.2	88 - 73

