



Tank Clean-out Covers

Model TC

LENZ has introduced a new series of tank covers, "TC Series". The tank covers include six models, ranging from a 6" to an 18" diameter. The TC Series tank covers are designed for ease of servicing hydraulic reservoirs through sidewall or through tank top.

Features Include:

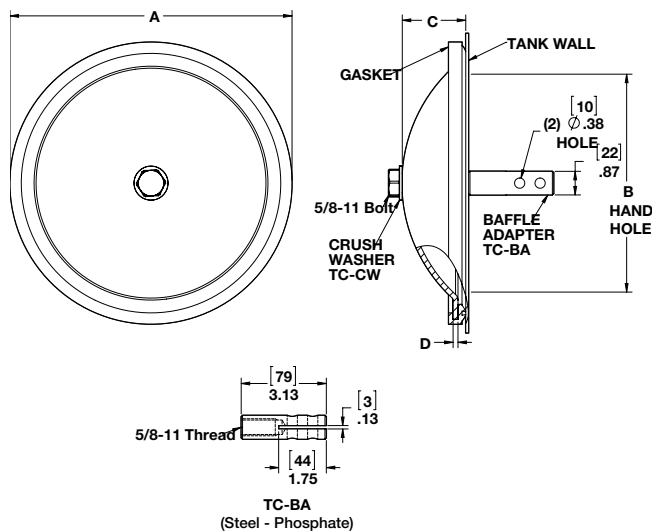
- Pickled and oil steel
- Sizes 10", 12", 14", 16", 18" diameter
- Buna lip seal included with cover
- Nylon crush washer included with cover
- Torque recommendation 15ft. lbs.
- Tank baffle adapter (TC-BA) available-order separately
- Tank end cover bolts 5/8"-11 available-order separately, specify length

Options:

- Drain available-add "D" to part number (3/4" NPT Port)
- Stainless steel-add "SS" to model number (304 SS)
- EPDM gasket for fireproof Hydraulic fluids (TC-G-**-EPDM)
- TC-BR bracket can be ordered for tank w/o baffle (see website)



Model		A	B	C	D	Gasket	"L" Bolt	Access Hole
TC-10	in. mm	10" 254	8" 203	1.75" 44	7 GA.	TCG-10	1 1/4"	8"
TC-12	in. mm	12" 305	10" 254	1.75" 44	7 GA.	TCG-12	1 3/4"	10"
TC-14	in. mm	14" 356	12" 305	1.75" 44	7 GA.	TCG-14	1 3/4"	12"
TC-16	in. mm	16" 406	14" 356	1.75" 44	7 GA.	TCG-16	2"	14"
TC-18	in. mm	18" 457	16" 406	2" 51	7 GA.	TCG-18	2 1/2"	16"



Bracket Mounts - Steel

Model TC BR

Bracket Mounted Access Covers (Cleanout Covers) are removable and designed to be used when a baffle is unavailable to mount the cover and when access to inside of reservoir is required. This allows access into a dry (drained) reservoir for cleaning, inspection or mounting of components inside of the reservoir with full access through the opening in the reservoir.

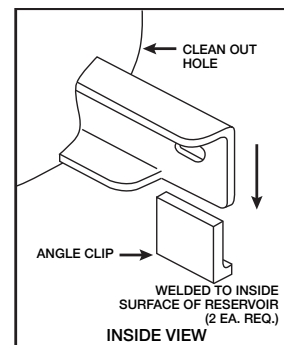
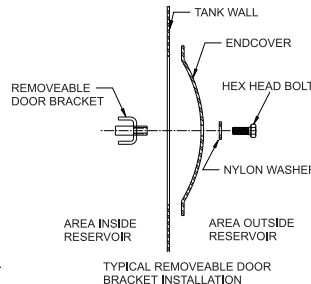
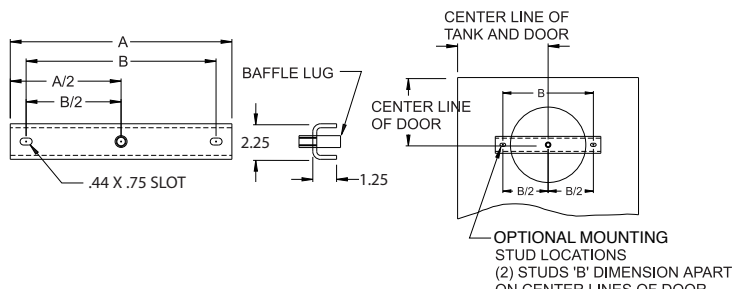
Features Include:

- A removable bracket style is available
- Quick and easy installation using clips
- Carbon steel



TC-BR

Removable Access Cover Bracket



Part No.	Access Cover Dia (inches)	Access Hole Diameter (inches)	A (inches)	A/2 (inches)	B (inches)	B/2 (inches)
TC-BR-10	10	8	12.00	6.00	10.00	5.00
TC-BR-12	12	10	14.00	7.00	12.00	6.00
TC-BR-14	14	12	16.25	8.12	14.25	7.12
TC-BR-16	16	12.25	18.25	9.12	16.25	8.12
TC-BR-18	18	16	20.25	10.00	18.25	9.12

Each Removable Access Cover Bracket includes:

- (1) Removable Access Cover Bracket
- *(2) Studs 3/8 inch x 3/4 inch long
- *(2) 3/8 inch hex nuts
- *(2) lockwashers

Removable endcover brackets are required when a baffle is not available to mount an endcover. Each removable endcover bracket includes:

1. Removable endcover bracket
2. 2 each weld on clips (welded to inside of reservoir at "B" spacing)