

# ZD Hydraulic Brake

ZD 80 and ZD 100 series Hydraulic Brakes are multi-disc brake design. They are widely applied in heavy load machines such as; engineering machines, cranes, agricultural machines, environmental sanitation machines etc.

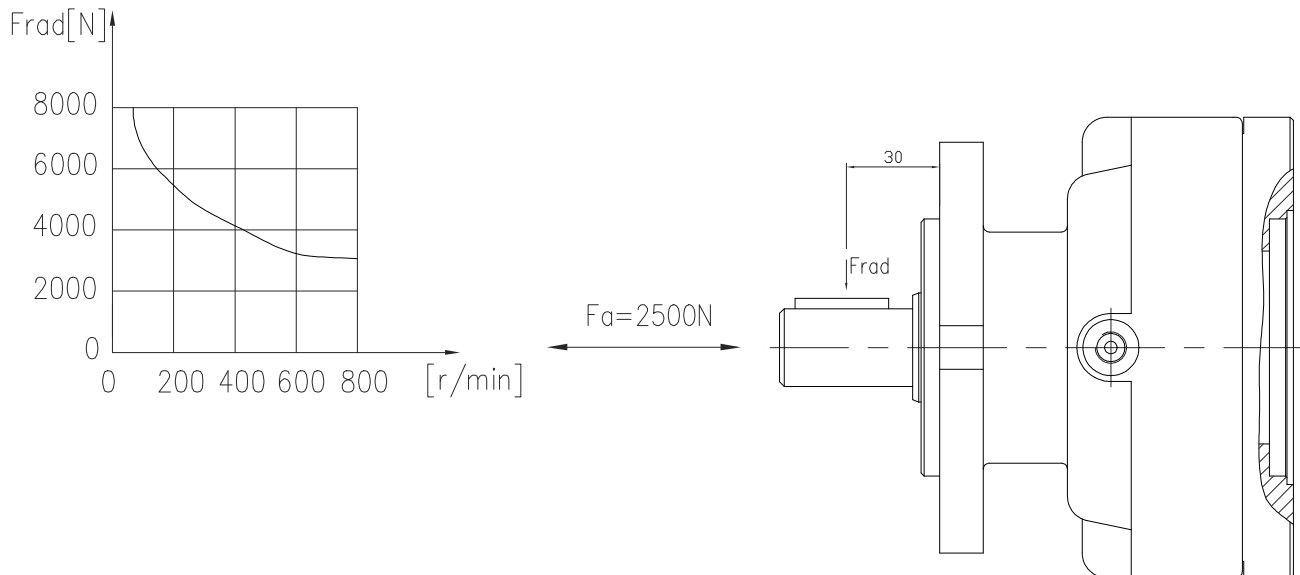
Characters:

1. multi-disc brake type,
2. compact design,
3. excellent performance
4. ZD Hydraulic Brakes can be independently used without motors,
5. low noise,
6. easy to install.

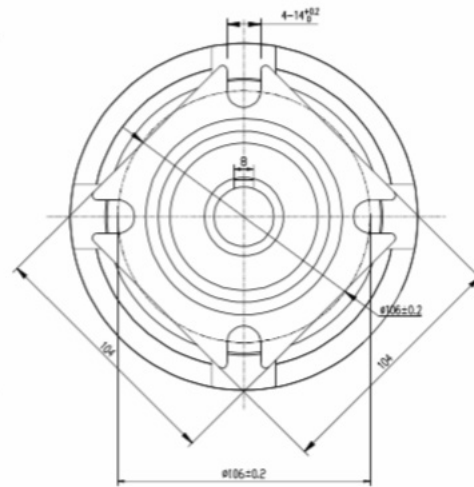
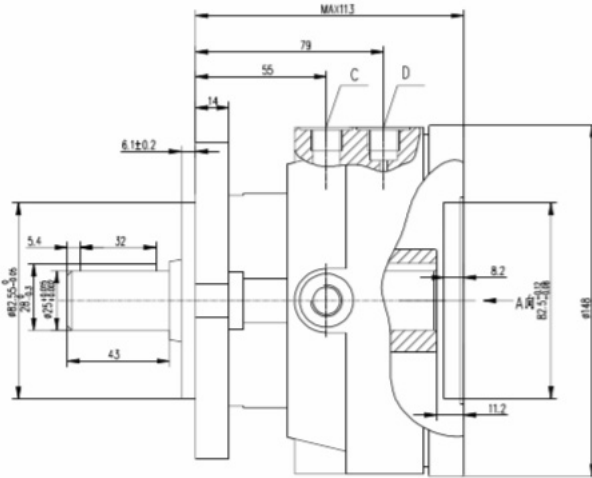
## Main specification

Item	ZD80	ZD100
Min Static Torque (LB-IN)	3982	4865
Min Opening pressure (PSI)	362	
Max Opening pressure (PSI)	4350	
Min oil quantity for brake releasing (cc)	7-8	
Oil volume (cc)	50-120	
Max pressure in drain space (PSI)	7	

## Side load



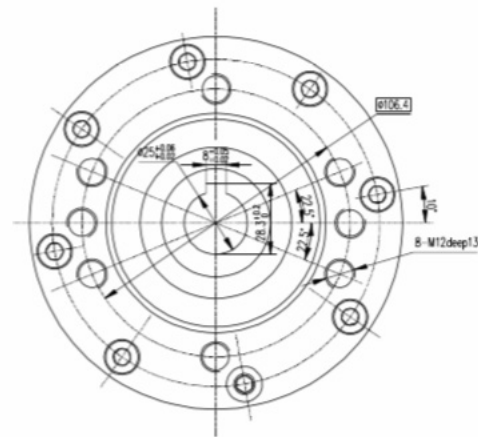
# ZD80-A dimensions - Configuration and flange



C Drain port --- SAE 4, Infuse port in the housing  
 D Brake release port --- SAE 4

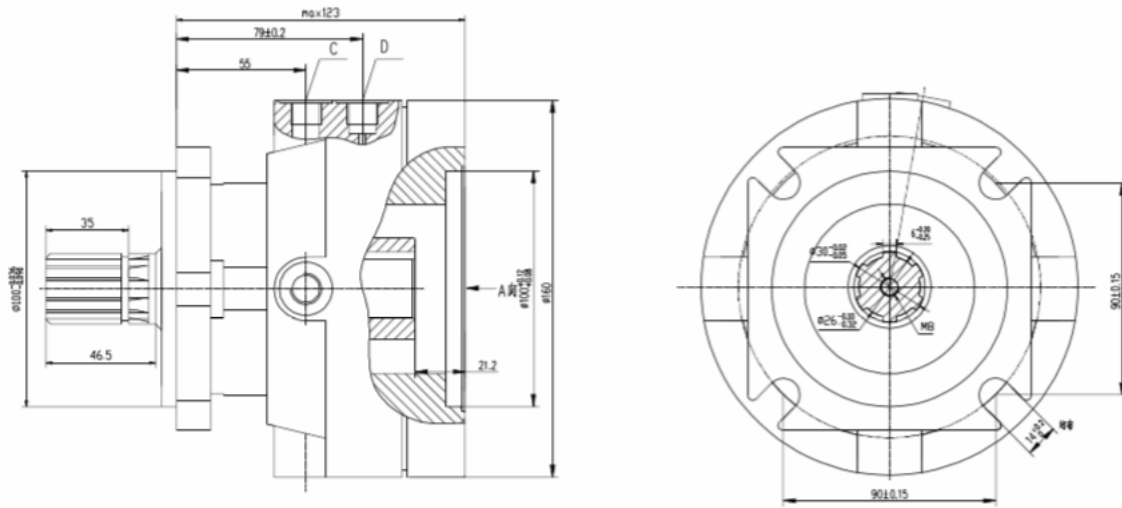
The motor input

Side load





# ZD100-A dimensions - Configuration and flange



C Drain port --- SAE 4, Infuse port in the housing  
D Brake release port --- SAE 4

