



BM2B Brake motor

BM2B brake motor is designed with brake device, shuttle valve, internal control oil loop. Compact design for small volume and easy installation.

Specifications

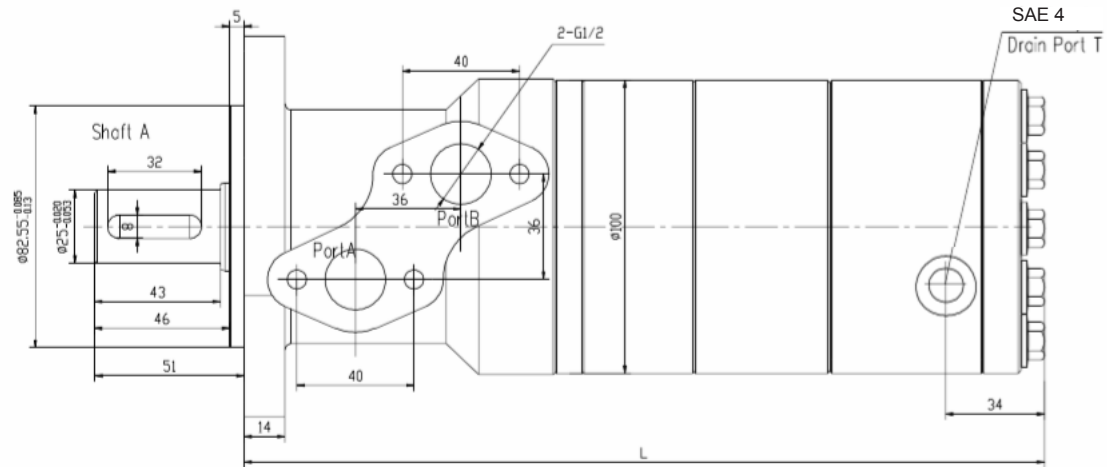
Displacement (cc/r)	80	100	125	160	200	250	315
Release pressure (PSI)	188-246	188-246	188-246	320-375	320-375	320-375	320-375
Brake torque (N.M) (LB-IN)	<=300 <=2655	<=300 <=2655	<=300 <=2655	<=500 <=4425	<=500 <=4425	<=500 <=4425	<=500 <=4425
Max pressure (PSI)	2030	2030	2030	2030	2030	1595	1305
Max flow (GPM)	13	13	13	13	13	13	13

Note:

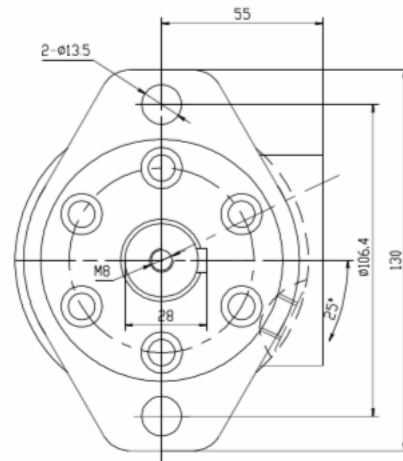
1. avoid working in high pressure and speed range,
2. the drain port should be connected with the return loop,
3. the brake should only be applied in static state, dynamic state is not permitted,
4. max. operating temperature:80°C,
5. recommended fluid : anti-wear type of hydraulic oil.Viscosity : above 13cSt in operating.



BM2B Dimension and Mounting Data Configuration



	Length						
Displacement	80	100	125	160	200	250	315
L	251	254	259	265	273	282	293



ORDERING CODE

BM2B	-	1	2	3	4	5
------	---	---	---	---	---	---

1. Displacement
2. Output shaft Shaft A Standard straight key
3. Mounting
4. Ports
5. Special Features