



## BM6B Brake motor

BM6B motor is a BM6 with multi-disc brake which releases using hydraulic pressure. The motor has the same work performance as a regular BM6 when the brake is released.

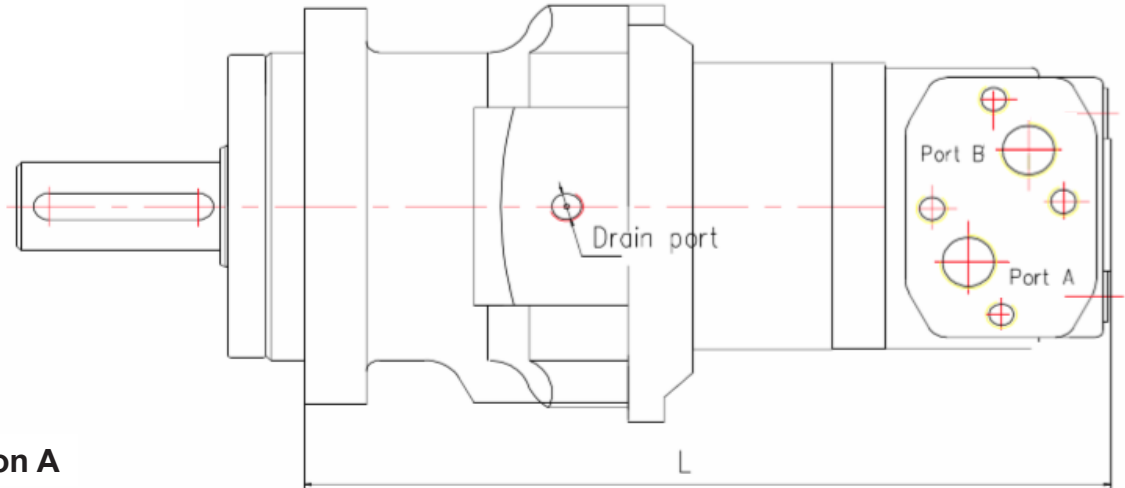
## Specifications

Displacement (cc/r)	195	245	310	395	490	625
Release pressure (PSI)	362	362	362	362	362	362
Brake torque (N.M) (LB-IN)	<=800 <=1080	<=800 <=1080	<=800 <=1080	<=800 <=1080	<=800 <=1080	<=800 <=1080
Max pressure (PSI)	2975	2975	2975	2975	2465	2465
Max flow (GPM)	40	40	40	40	40	40

Note :

1. don't operate over the max pressure,
2. the drain port must be connected to the return circuit,
3. don't brake when the motor is dynamic status,
4. if the system has pilot pump,use pilot oil to open the brake, otherwise, the working pressure should not exceed 2175 PSI,
5. the oil temperature should not exceed 80°C,
6. recommended fluid : anti-wear type of hydraulic oil.Viscosity : above 13cSt in operating.

# BM6B Dimension and Mounting Data Configuration with Valve

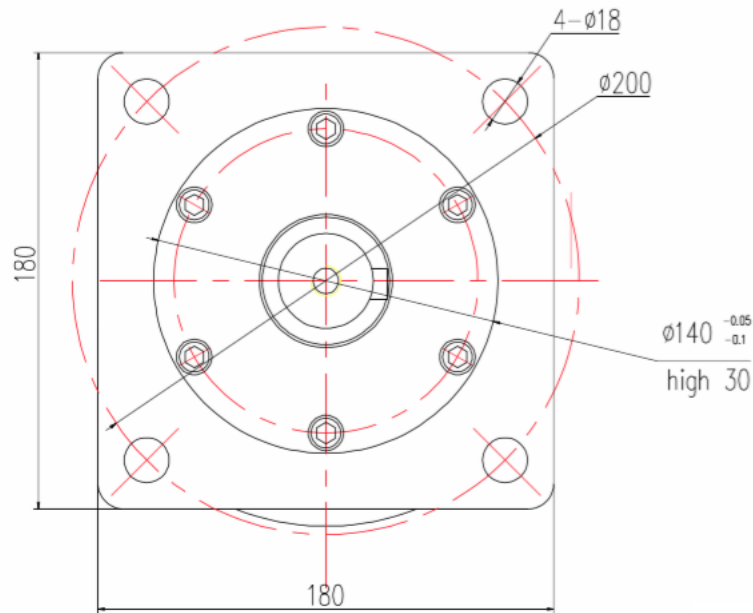


**Configuration A**

Dimension

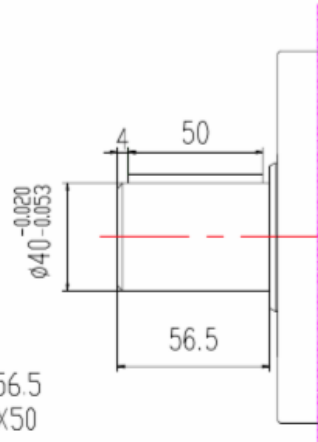
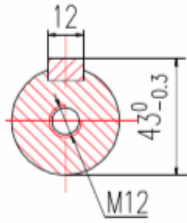
Displacement	195	245	310	395	490	625
L	293	199	306	316	325	340

View from shaft end.  
CW = when port A is inlet.



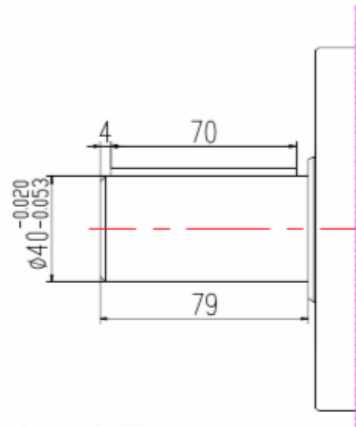
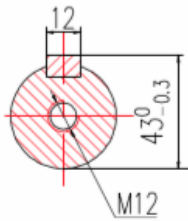
Factor : mm

**Shaft A**



cylinder shaft:  $\phi 40 \times 56.5$   
 parallel key: 12X8X50  
 link thread: M12

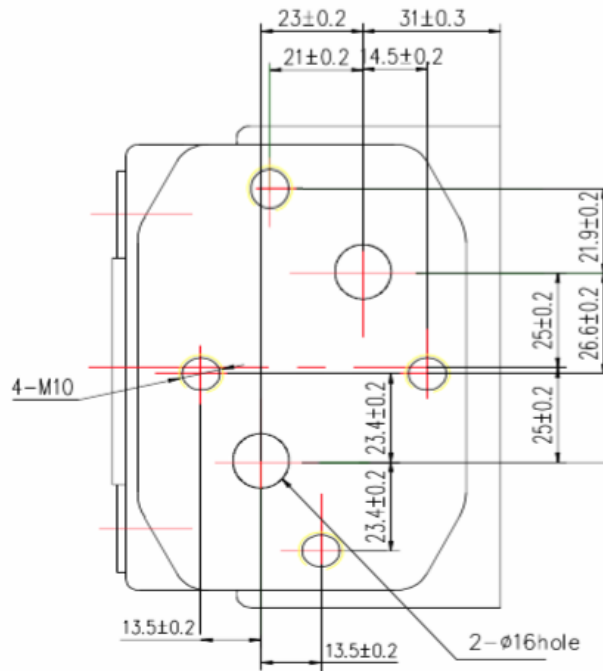
**Shaft B**



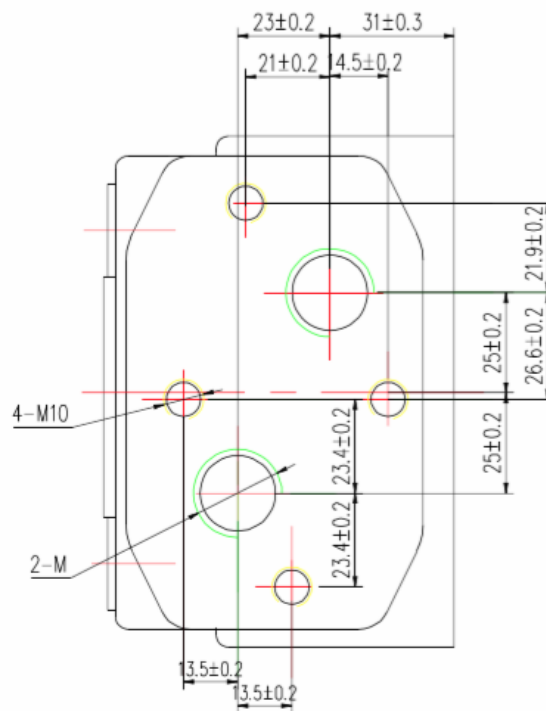
cylinder shaft:  $\phi 40 \times 79$   
 parallel key: 12X8X70  
 link thread: M12

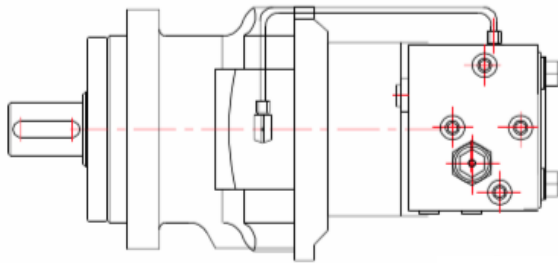
Factor : mm

Housing A

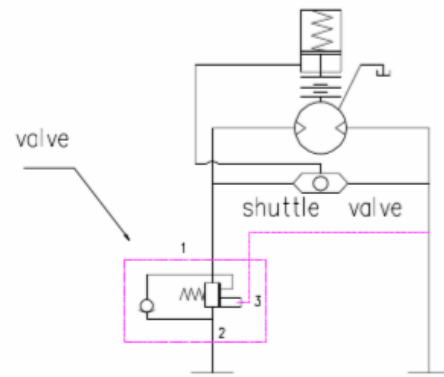
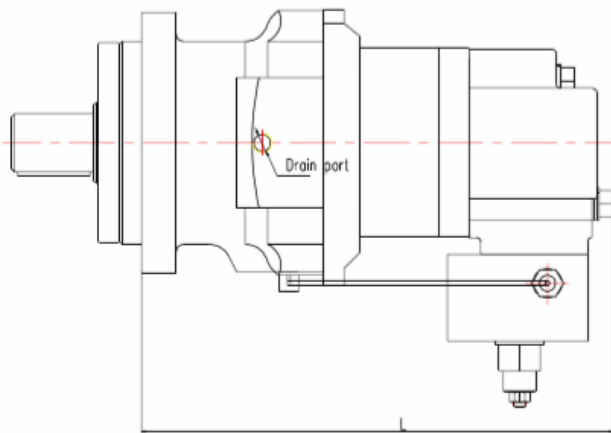
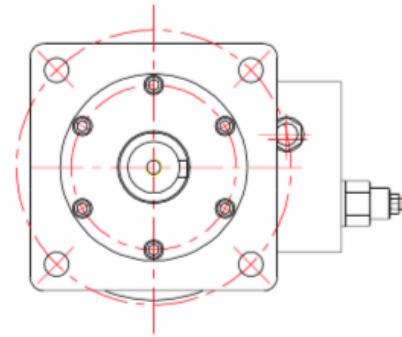


Housing B





Valve



1. Release pressure 435 - 2175 PSI
2. Max pressure of valve is 1300 PSI