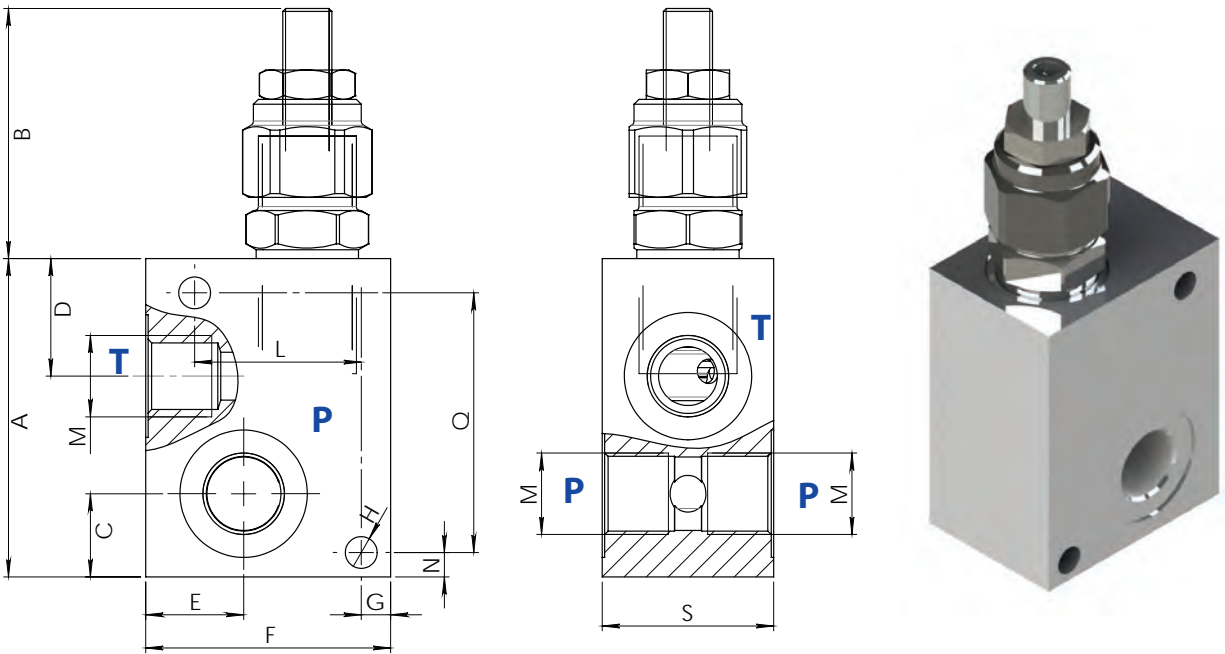
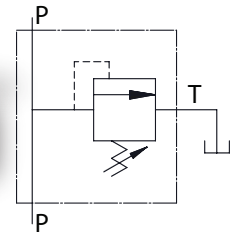


**PRESSURE RELIEF VALVE
IN LINE**

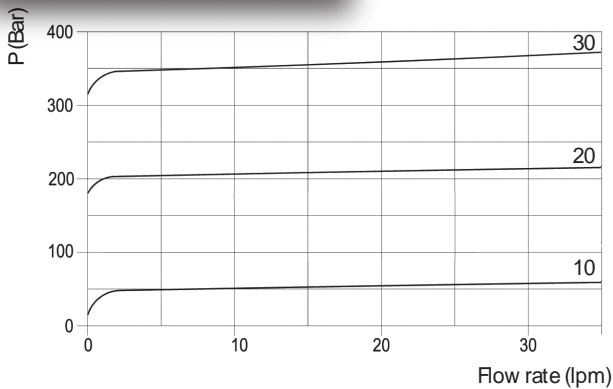
DIMENSIONS



Size	A	B	C	D	E	F	G	H	L	M SAE	N	Q	S	Weight kg
01										6				
02	65	51	17	24	20	50	6	6,5	34	8	6	53	35	0,40
03	65	51	17	24	20	50	6	6,5	34	10	6	53	35	0,38



CURVES



HYDRAULIC SYMBOL

FEATURES

Rated Flow	35 lpm
Max Pressure	350 bar

Materials: Zinc plated steel cartridge, hardened steel inner parts. Aluminium manifold.

ORDERING CODE

PRL35

Port Size SAE		Spring (bar)		Adjustments	
02	SAE 8	10	5-50	A	Socket Screw
03	SAE 10	20	40-210	B	Handknob
		30	100-350	C	Tamperproof Cap

Ordering Code Example: PRL35 02 20A = SEA 8-40-210 bar setting range, Socket screw adjustment.