



BM2W series motor is a wheel motor with radial bearing which can bear bigger radial forces.

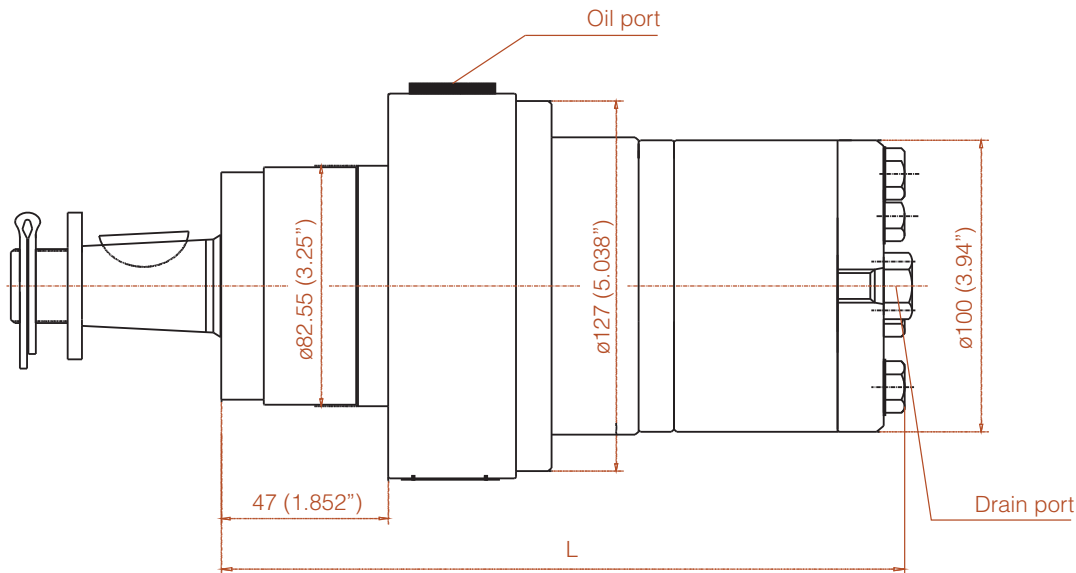
CHARACTERISTIC FEATURES

- It adopts the gerolor design. Has higher efficiency.
- Credible design for shaft seal, which can bear high pressure and can be used in parallel or in series application.
- Direction of shaft speed can be controlled easily and smoothly.
- Best efficiency and economy in medium load applications.

Main Specification

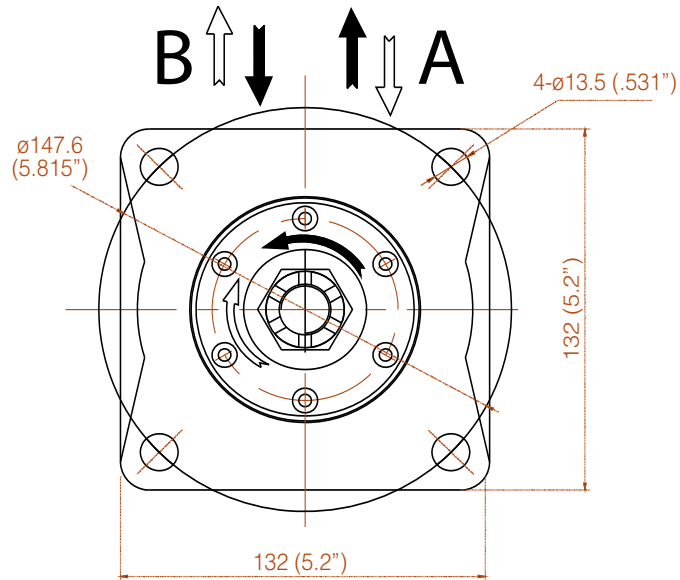
The main specification and performance data are same as BM2, please refer to the BM2 section on page 20-23.

BM2W Figuration

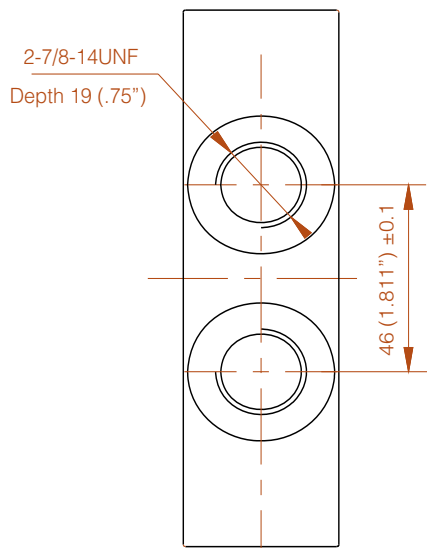


Displacement	50	63	80	100	125	160	200	250	315	400	500
L	157	160	163	166	171	177	185	194	205	220	238
	6.181	6.299	6.417	6.535	6.732	6.969	7.283	7.638	8.070	8.661	9.370

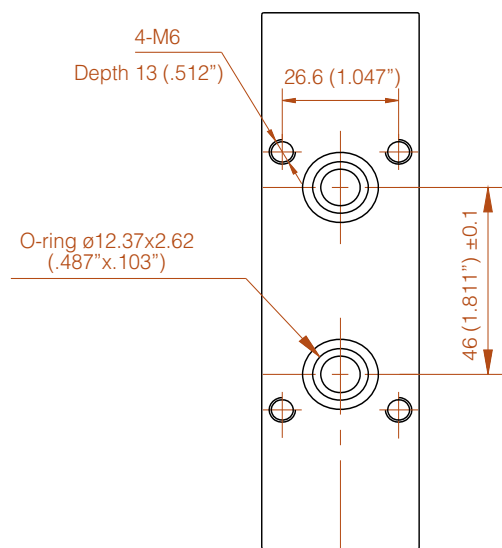
Flange A



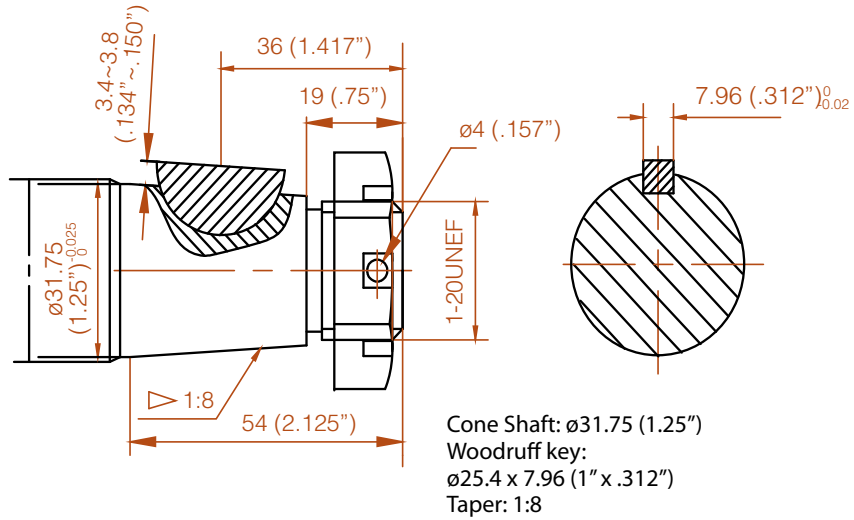
Oil Port A



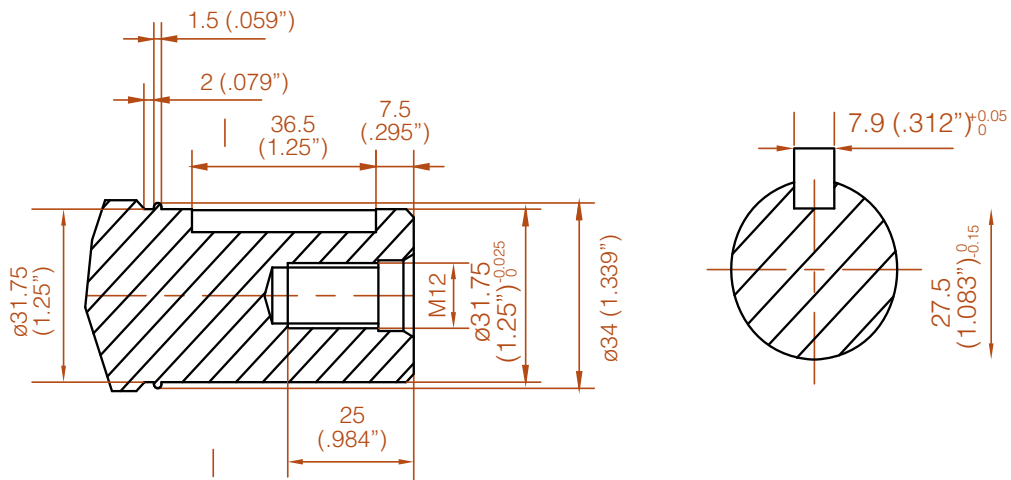
Oil Port C



Shaft A



Shaft C



BM2W Code number & Order information

Choose an option for each category

BM2W

--	--	--	--	--	--	--	--

Figuration

H - Standard, wheel mount

Displacement (cc)

A - 50 B - 63 C - 80 D - 100 E - 125
F - 160 G - 200 H - 250 I - 315 J - 400 K - 500

Flange & Pilot (mm)

A - Standard

Shaft & Key (mm)

A - Cone shaft; $\varnothing 31.75 \times 57$ (1.25" x 2.244"),
Taper: 1 : 8, Link thread : 1/4-20UNC, Woodruff Key: 25.4 x 7.96 (1" x .312")
C - Cylinder shaft: $\varnothing 31.75 \times 56$ (1.25" x 2.205"),
Parallel Key: 7.96 x 7.96 x 36 (.312" x .312" x 1.417"), Link thread: M12

Oil Port

A - 2-7/8-14UNF SAE C - O-ring 2- $\varnothing 12.37 \times 2.62$ (.487" x .103")

Link Thread on Port Surface

A - None C - 4-M6

Drain Port

A - None D - 7/16-20UNF

Special

A - None

Order example: BM2WHDACAADA

Other configuration and/or mounting types are available upon request.